

Product information

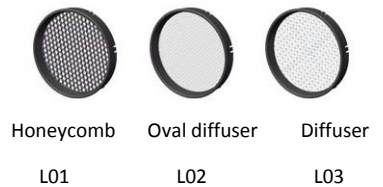


|                          |                                     |
|--------------------------|-------------------------------------|
| Product number:          | TL45L-Pro Series                    |
| Track System:            | 3 wire, 4 wire, 6 wire              |
| Input Voltage (v):       | 220-240V                            |
| Dimming:                 | On/Off, TRIAC, Knob, DALI           |
| Light source:            | COB LED                             |
| luminaire Lifetime:      | 50.000h (L80-B10, Ta25°C)           |
| Rotation Angle (degree): | 350                                 |
| Tilting Angle (degree):  | 90                                  |
| IP Rating:               | 20                                  |
| Working Temperature (°C) | -5 ~ +30                            |
| Storage Temperature (°C) | -20 ~ +50                           |
| Material:                | Aluminium                           |
| Fitting Colors:          | 9016 Sandy White / 9017 Sandy Black |

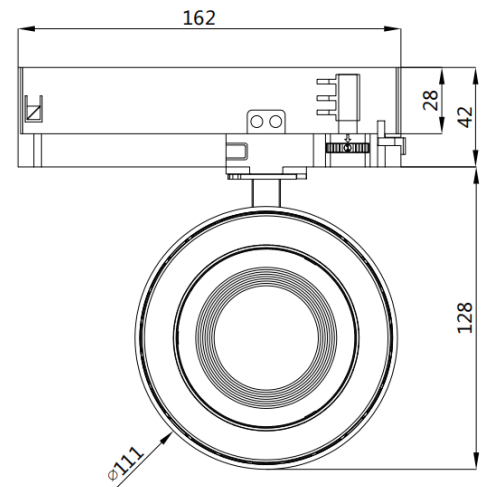


Packaging information

|                              |             |
|------------------------------|-------------|
| N.W. lamp (Kg)               | 0.52        |
| G.W. Carton (Kg)             | 10          |
| Master carton dimensions(mm) | 430x430x390 |
| Quantity per carton(pcs):    | 16          |



| Beam | Watt | CRI | Luminous | CCT   | Code                |
|------|------|-----|----------|-------|---------------------|
| 17   | 28W  | 90  | 2453.5   | 4000K | TL454L-Pro-28G40-S  |
|      |      |     | 2314.7   | 3000K | TL454L-Pro-28G30-S  |
|      |      |     | 2152.6   | 2700K | TL454L-Pro-28G27-S  |
| 23   | 28W  | 90  | 2409.2   | 4000K | TL454L-Pro-28G40-M  |
|      |      |     | 2272.9   | 3000K | TL454L-Pro-28G30-M  |
|      |      |     | 2113.7   | 2700K | TL454L-Pro-28G27-M  |
| 34   | 28W  | 90  | 2408.8   | 4000K | TL454L-Pro-28G40-F  |
|      |      |     | 2272.5   | 3000K | TL454L-Pro-28G30-F  |
|      |      |     | 2113.4   | 2700K | TL454L-Pro-28G27-F  |
| 45   | 28W  | 90  | 2410.9   | 4000K | TL454L-Pro-28G40-WF |
|      |      |     | 2274.5   | 3000K | TL454L-Pro-28G30-WF |
|      |      |     | 2115.2   | 2700K | TL454L-Pro-28G27-WF |



Code composition: TL45 X L - Pro - X 28 G30 - B S - L01

① ② ③ ④ ⑤ ⑥ ⑦ ⑧ ⑨ ⑩

|        |         |              |          |                |        |                    |            |                 |                   |
|--------|---------|--------------|----------|----------------|--------|--------------------|------------|-----------------|-------------------|
| ① Code | ② Track | ③ Dimensions | ④ Series | ⑤ Dimming type | ⑥ Watt | ⑦ LED Kelvin & CRI | ⑧ Finishes | ⑨ Optical angle | ⑩ Accessories     |
| TL45   | 6 Wire  | L            | Pro      | X Not-Driver   | 28W    | H27 2700 >95       | White      | S Spot          | L01 Honeycomb     |
|        | 4 Wire  |              |          | T TRIAC        |        | G30 3000 >90       | Black      | M Medium        | L02 Oval diffuser |
|        | 3 Wire  |              |          | K Knob         |        | G40 4000 >90       |            | F Flood         | L03 Diffuser      |
|        |         |              |          | D DALI         |        | E50 5000 >80       |            | WF Wide Flood   |                   |