

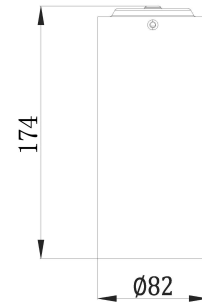
Pro Series

SD051-20W

Reflector

Technical Parameters:

Name	Parameters
Light source:	COB
Input Voltage:	AC220~240V 50/60Hz
LED Current:	500mA, 35-37V
Rated life:	>50,000 hours
Operating temperature:	-20°C~40°C
Storage temperature:	
Certificate:	CE/RoHS
Dimmability:	NON-Dimmable
Weight:	0.65KG



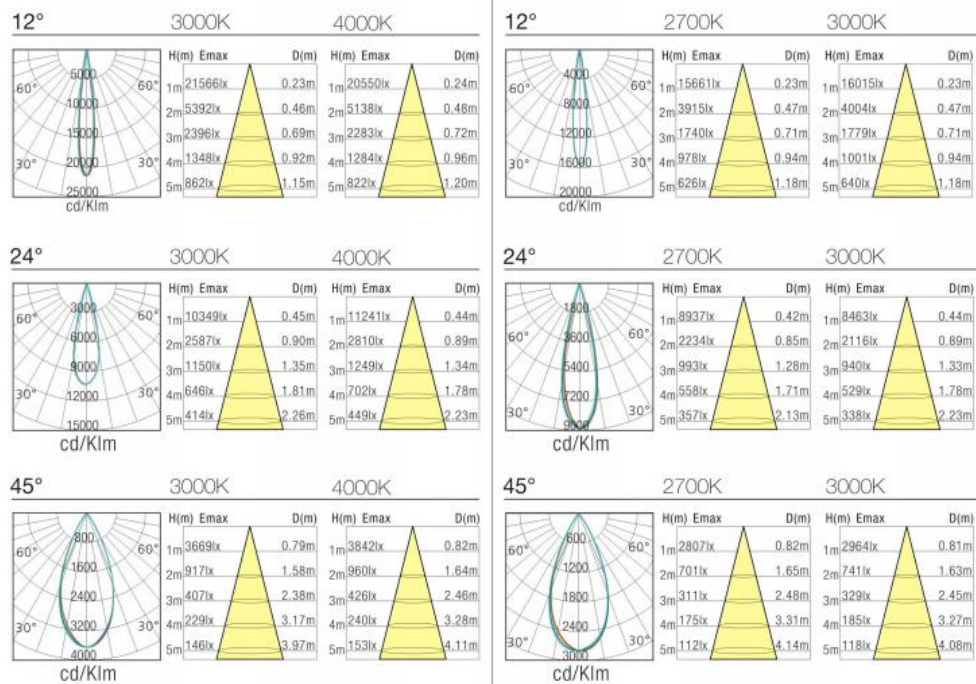
Ordering Information:

○ White ● Black

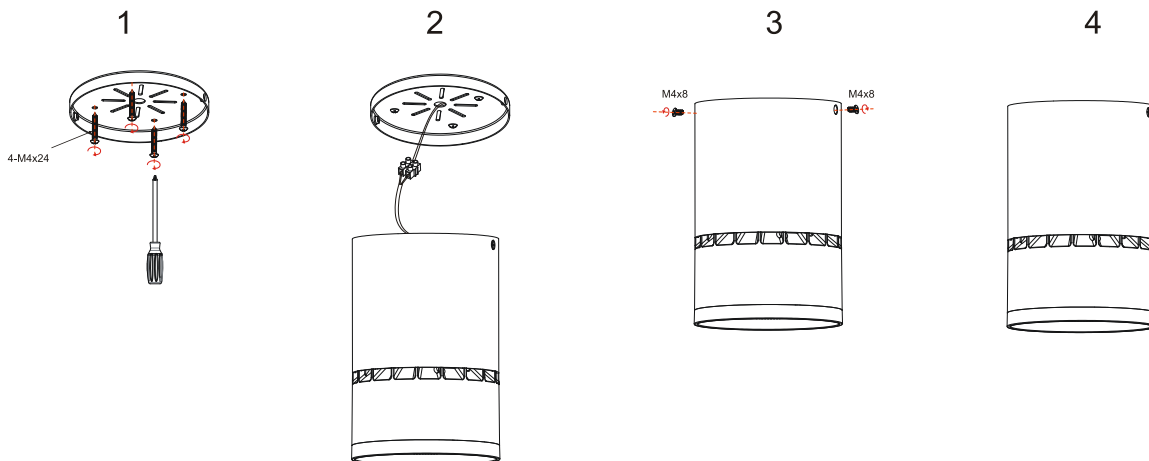
Power	CRI	Beam Angle	Luminous	CCT	Housing	Part Number
20W	>80	▲ 12°	1940 lm	3000K	○	SD051-20W-830-W-12
					●	SD051-20W-830-B-12
			1970 lm	4000K	○	SD051-20W-840-W-12
					●	SD051-20W-840-B-12
		▲ 24°	1830 lm	3000K	○	SD051-20W-830-W-24
					●	SD051-20W-830-B-24
		1850 lm	4000K	○	SD051-20W-840-W-24	
				●	SD051-20W-840-B-24	
	▲ 45°	1860 lm	3000K	○	SD051-20W-830-W-45	
				●	SD051-20W-830-B-45	
		1880 lm	4000K	○	SD051-20W-840-W-45	
				●	SD051-20W-840-B-45	
>90	▲ 12°		1640 lm	3000K	○	SD051-20W-930-W-12
					●	SD051-20W-930-B-12
			1770 lm	4000K	○	SD051-20W-940-W-12
					●	SD051-20W-940-B-12
		▲ 24°	1550 lm	3000K	○	SD051-20W-930-W-24
					●	SD051-20W-930-B-24
		1660 lm	4000K	○	SD051-20W-940-W-24	
				●	SD051-20W-940-B-24	
	▲ 45°	1600 lm	3000K	○	SD051-20W-930-W-45	
				●	SD051-20W-930-B-45	
		1690 lm	4000K	○	SD051-20W-940-W-45	
				●	SD051-20W-940-B-4	

Technical Data test pattern

20W	CRI>80				CRI>90				
	LED			Luminaire		LED		Luminaire	
Power	12.5W			19.8W		12.5W		19.8W	
Current	360mA			500mA		360mA		500mA	
Luminous Flux	1673lm	1729lm	1754lm	2011lm	2211lm	1389lm	1435lm	1630lm	1700lm
CCT	3000K	4000K	5000K	3000K	4000K	3000K	4000K	2700K	3000K
Color tolerance	3 SDCM					3 SDCM			
Service life	>50000Hrs			>50000Hrs		>50000Hrs		>50000Hrs	
Beam Angle	120°			12°/20°/38°		120°		12°/20°/38°	
Typical Efficiency				86%				86%	
Efficacy(lm/W)	134	139	141	101	111	111	115	82	85

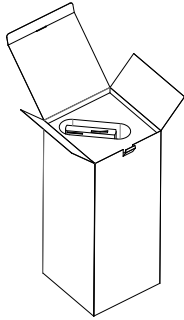


Installation instruction

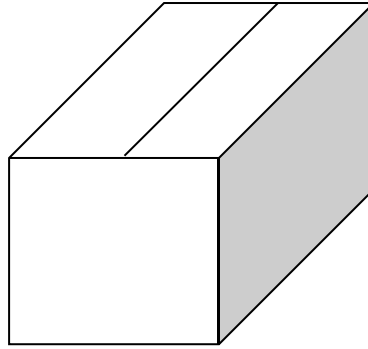


Packaging:

02



Box
 L80*W80*H290mm
 1pc/box
 GW: 0.80kg/box



Outer carton
 L515xW415xH305mm
 20pcs/CTN
 GW: 18kg/carton

Product Nomenclature

SD (X) XX X (H) = X = X XX = X - XX

