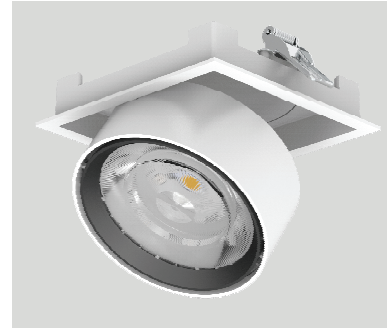


Cylinder series

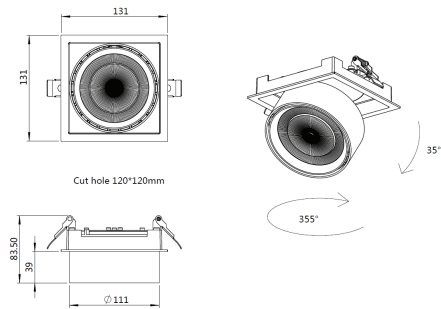
**GL13-1X28W**

optical lens



Technical Parameters:

Name	Parameters
Light source:	COB
Input Voltage:	AC220~240V 50/60Hz
LED Current:	700mA, 35-37V
Beam Angle:	12°/24°/36°
Life Time:	> 50,000h - L80 - B10 (Ta 25° C)
Operating temperature:	-20°C~40°C
Certificate:	CE/RoHS
Weight:	0.6kg



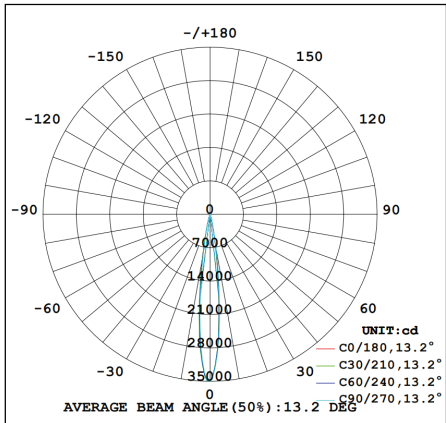
Ordering Information:

○ White ● Black

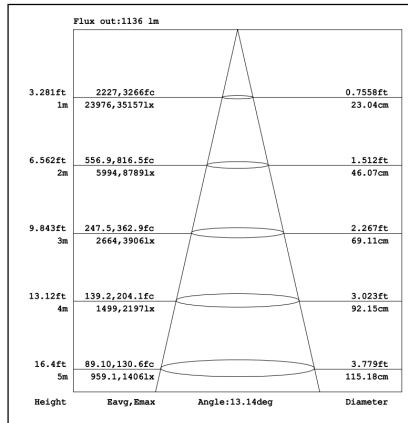
Power	CRI	Beam Angle	Luminous	CCT	Housing	Part Number
28W	>80	▲ 12°	2825 lm	3000K	○	GL1311-28W-830-W-12
					●	GL1311-28W-830-B-12
		▲ 24°	2897 lm	4000K	○	GL1311-28W-840-W-12
					●	GL1311-28W-840-B-12
		▲ 36°	2803 lm	3000K	○	GL1311-28W-830-W-24
					●	GL1311-28W-830-B-24
	>90	▲ 12°	2871 lm	4000K	○	GL1311-28W-840-W-24
					●	GL1311-28W-840-B-24
		▲ 24°	2876 lm	3000K	○	GL1311-28W-830-W-36
					●	GL1311-28W-830-B-36
		▲ 36°	2942 lm	4000K	○	GL1311-28W-840-W-36
					●	GL1311-28W-840-B-36
>90	▲ 12°	2165 lm	3000K	○	GL1311-28W-930-W-12	
				●	GL1311-28W-930-B-12	
	▲ 24°	2159 lm	3000K	○	GL1311-28W-930-W-24	
				●	GL1311-28W-930-B-24	
	▲ 36°	2217 lm	3000K	○	GL1311-28W-930-W-36	
				●	GL1311-28W-930-B-36	

Technical Data test pattern:

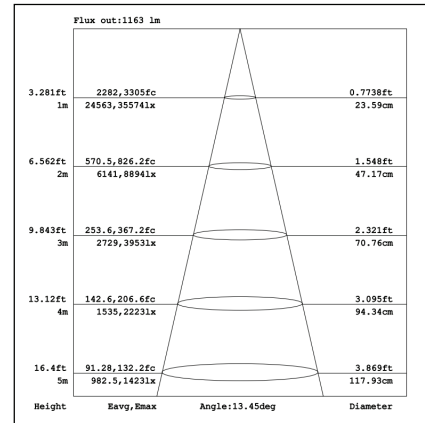
CRI80 12°



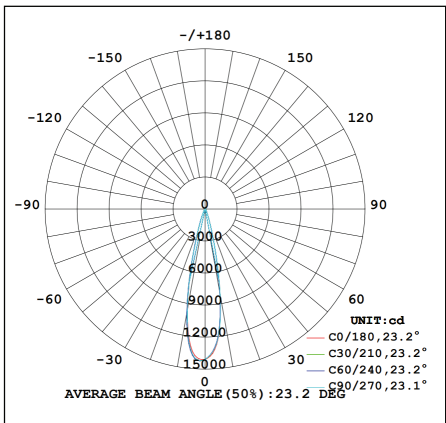
3000K



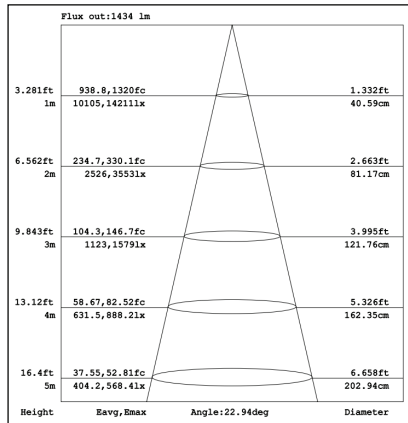
4000K



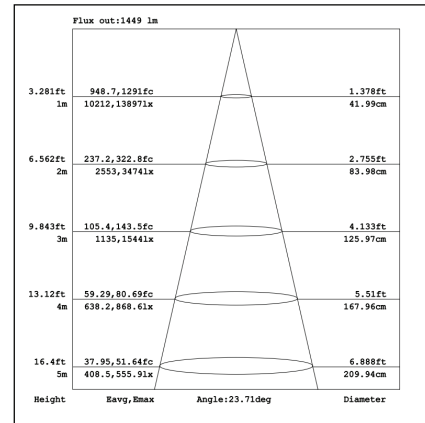
CRI80 24°



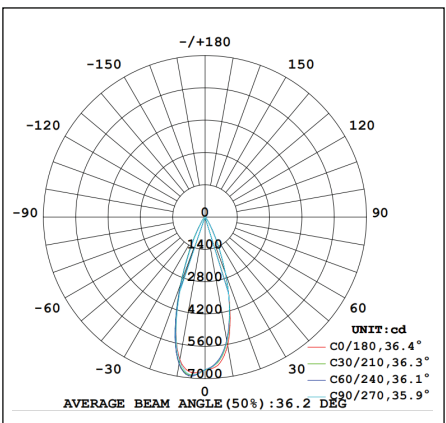
3000K



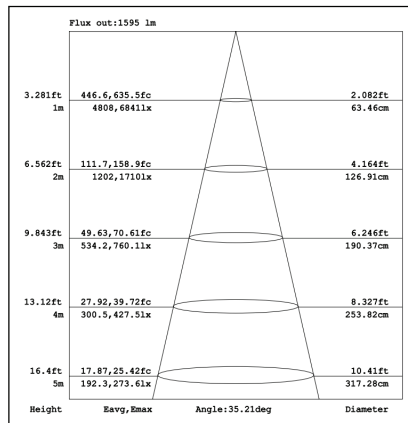
4000K



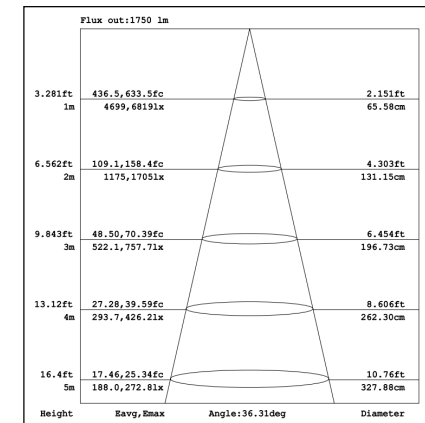
CRI80 36°



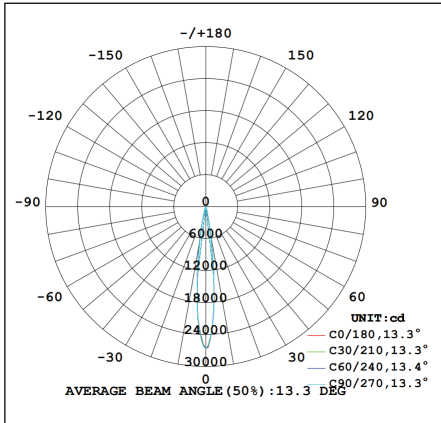
3000K



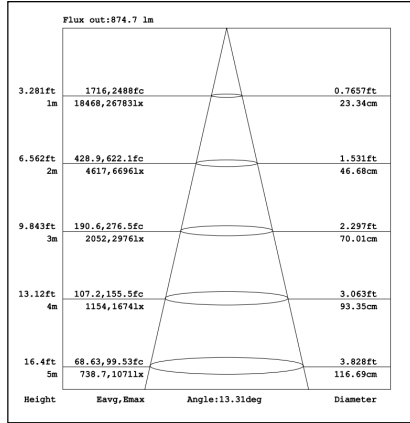
4000K



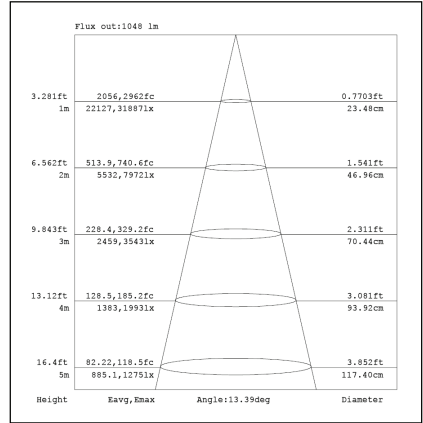
CRI90 12°



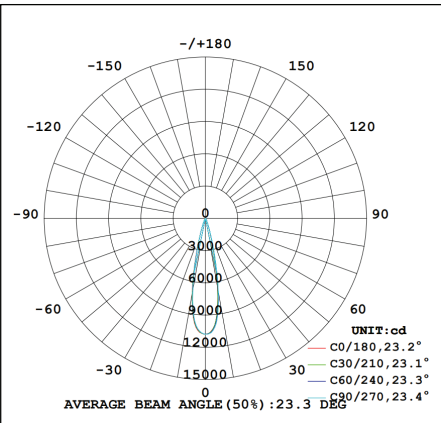
3000K



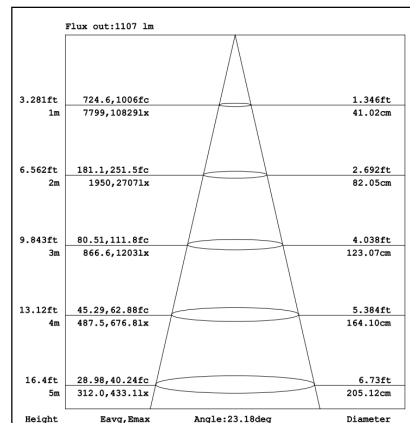
4000K



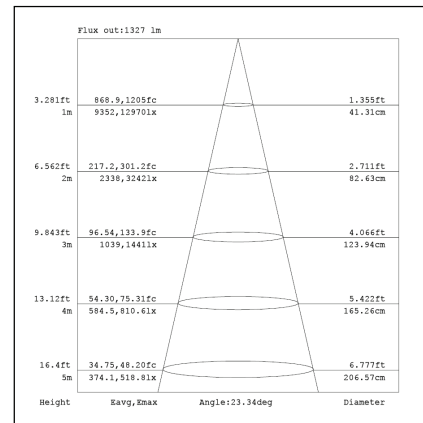
CRI90 24°



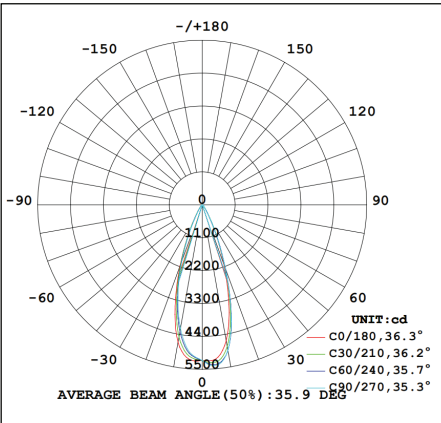
3000K



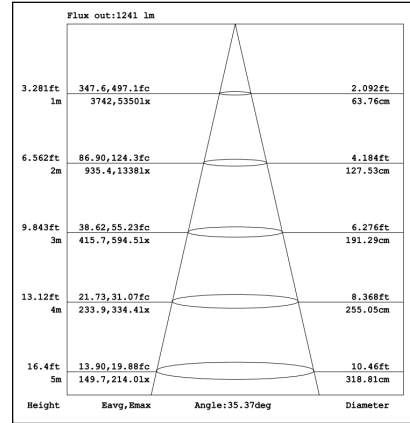
4000K



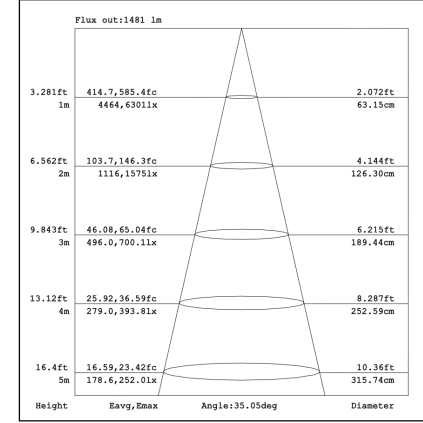
CRI90 36°



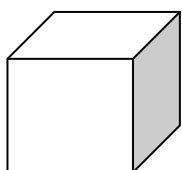
3000K



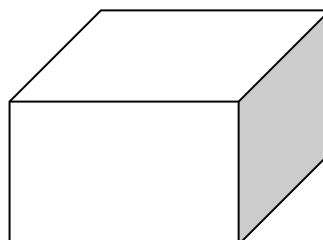
4000K



Packaging:



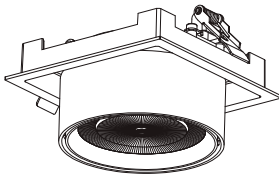
**Box**  
 L170\*W170\*H90mm  
 1pc/box  
 GW: 0.65kg/box



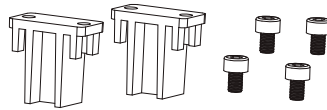
**Outer carton**  
 L700\*W355\*H300mm  
 24pcs/CTN  
 GW: 16.5kg/carton

### Combination Instructions of GL13 Grille downlight:

#### 1, Materials list.



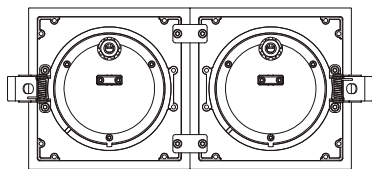
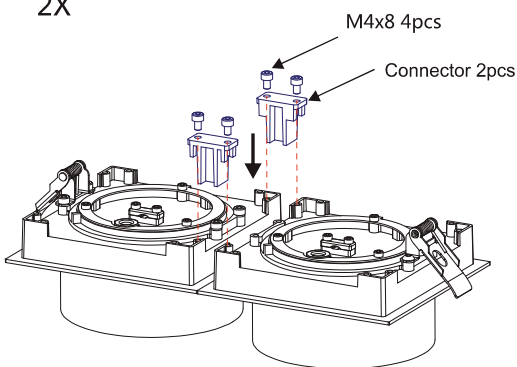
GL13 lamp



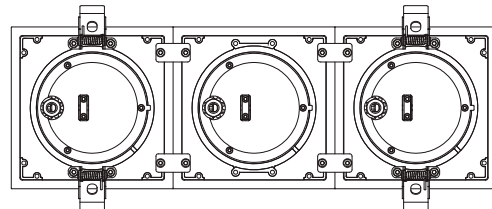
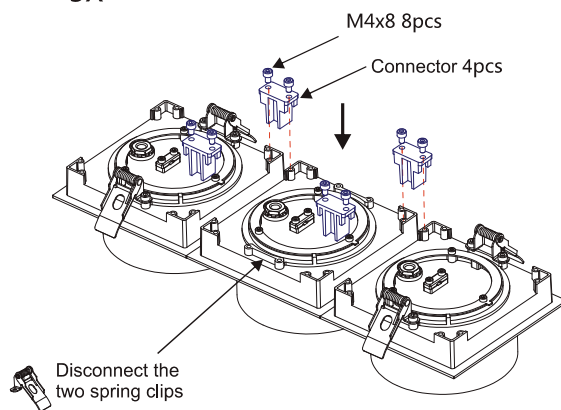
Connection sets(2pcs a set)  
Screw M4X8(4pcs a set)

#### 2,Combination Process

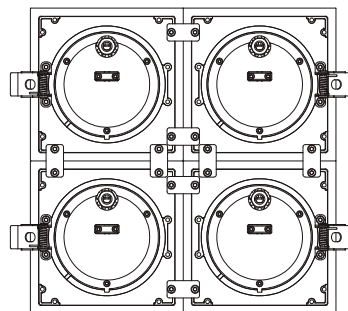
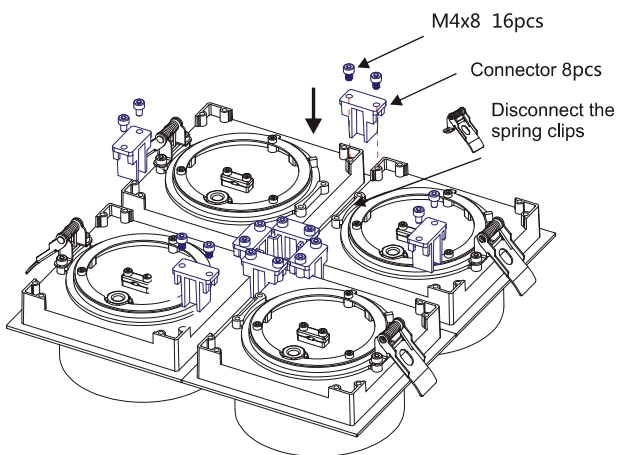
2X



3X

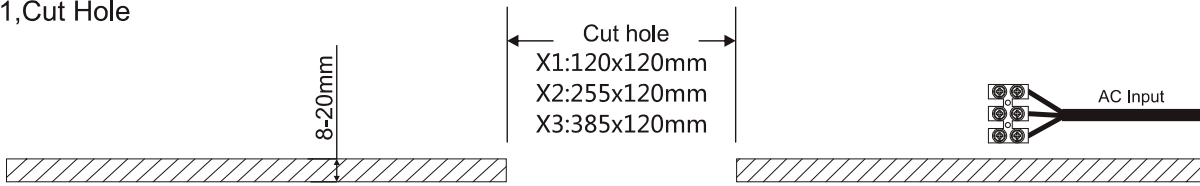


4X

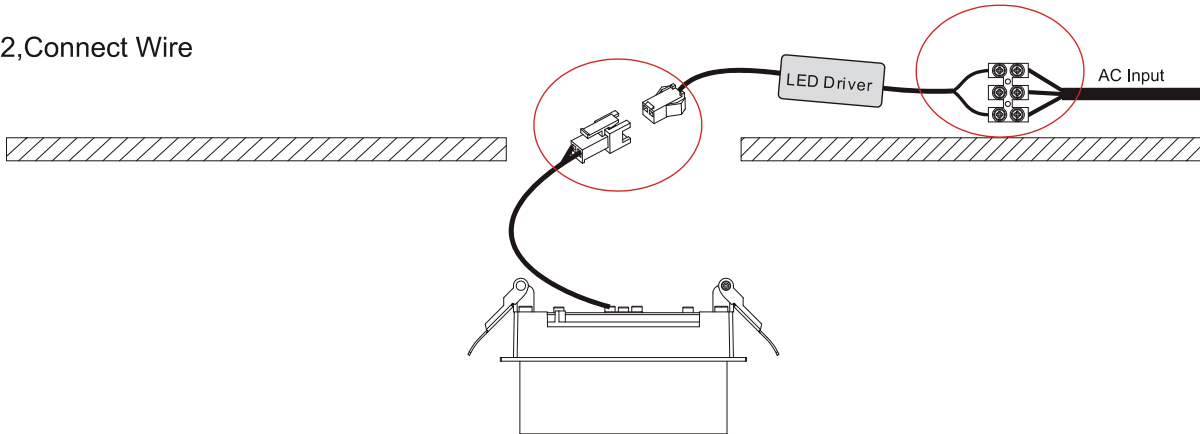


# GL13 Installation Instruction

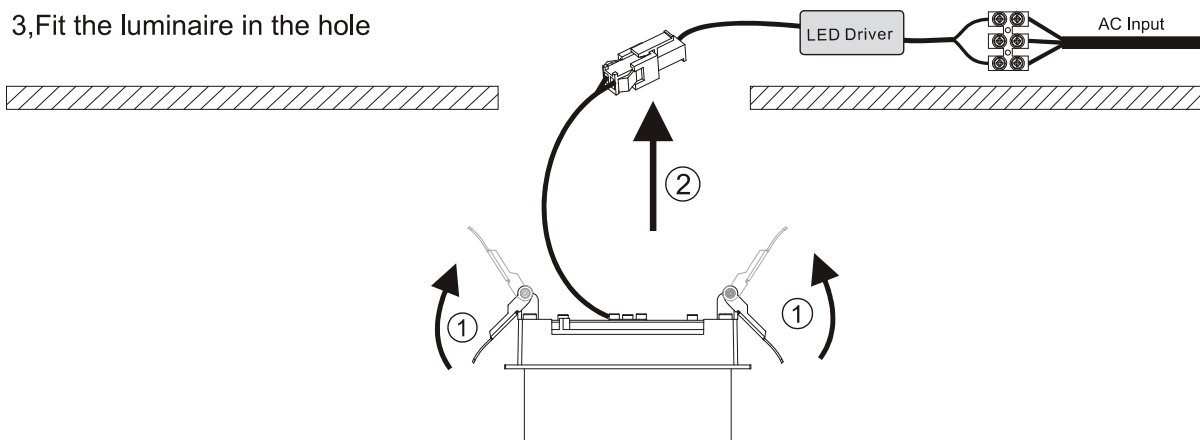
## 1, Cut Hole



## 2, Connect Wire



## 3, Fit the luminaire in the hole



## 4, Finish

