

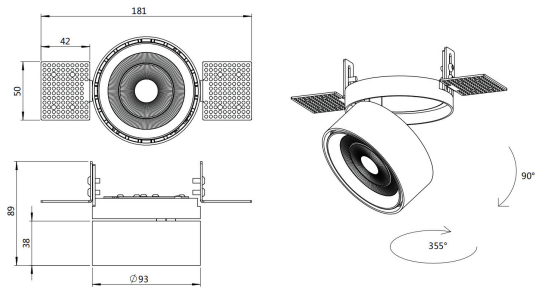
FLOW.IT Series

DL32-M-20W

optical lens

Technical Parameters:

Name	Parameters
Light source:	COB
Input Voltage:	AC220~240V 50/60Hz
LED Current:	500mA, 35-37V
Beam Angle:	15°/20°/36°/48°/60°
Life Time:	> 50,000h - L80 - B10 (Ta 25° C)
Operating temperature:	-20°C~40°C
Certificate:	CE/RoHS
Weight:	0.60kg



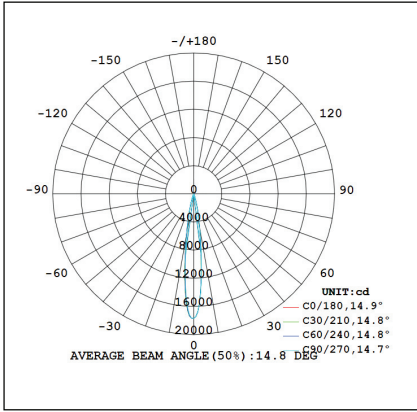
Ordering Information:

○ White

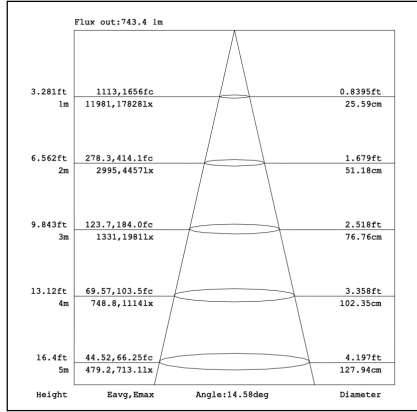
Power	CRI	Beam Angle	Luminous	CCT	Housing	Part Number	
20W	>80	▲ 15°	1910 lm	3000K	○	DL321-20W-830-W-15-M	
			2100 lm	4000K	○	DL321-20W-840-W-15-M	
		▲ 20°	1778 lm	3000K	○	DL321-20W-830-W-20-M	
			1962 lm	4000K	○	DL321-20W-840-W-20-M	
		▲ 36°	1870 lm	3000K	○	DL321-20W-830-W-36-M	
			2086 lm	4000K	○	DL321-20W-840-W-48-M	
		>90	▲ 48°	2129 lm	3000K	○	DL321-20W-830-W-48-M
			2307 lm	4000K	○	DL321-20W-840-W-60-M	
	▲ 60°		2073 lm	3000K	○	DL321-20W-830-W-60-M	
			2278 lm	4000K	○	DL321-20W-840-W-36-M	
	▲ 15°		1566 lm	3000K	○	DL321-20W-930-W-15-M	
	▲ 20°		1672 lm	3000K	○	DL321-20W-930-W-20-M	
		▲ 36°	1647 lm	3000K	○	DL321-20W-930-W-36-M	
		▲ 48°	1876 lm	3000K	○	DL321-20W-930-W-60-M	
		▲ 60°	1810 lm	3000K	○	DL321-20W-930-W-60-M	

Technical Data test pattern

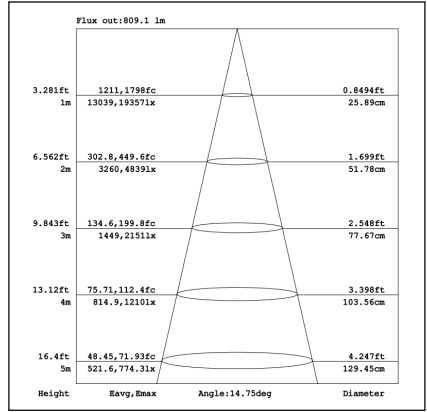
CRI80 15°



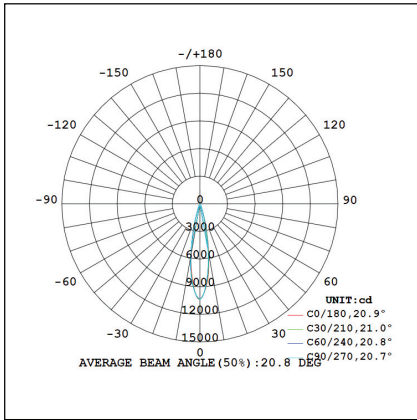
3000K



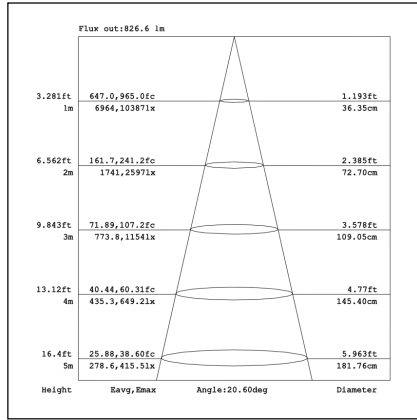
4000K



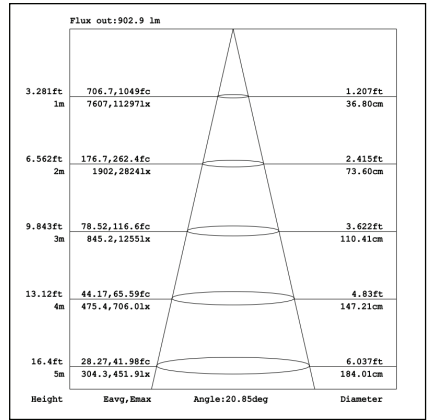
CRI80 20°



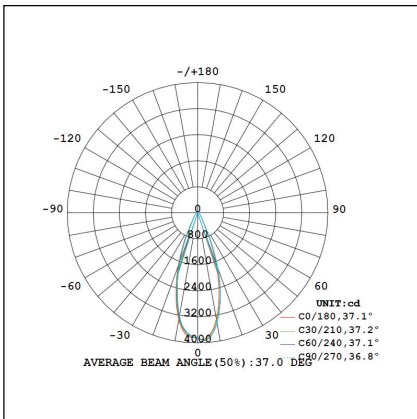
3000K



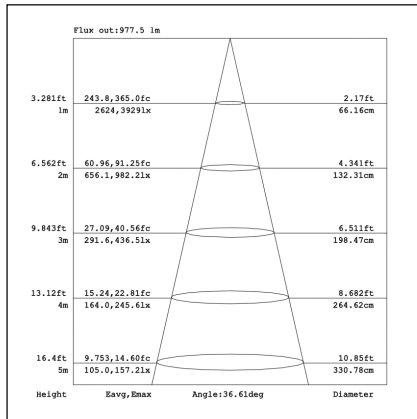
4000K



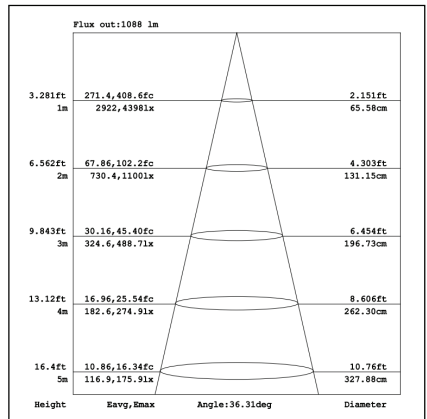
CRI80 36°



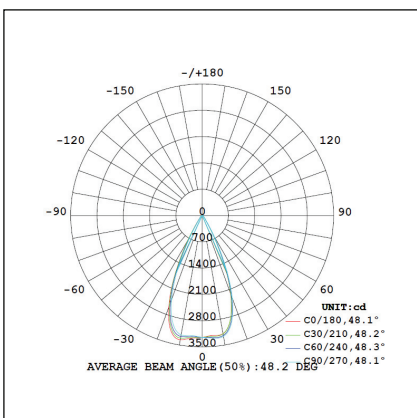
3000K



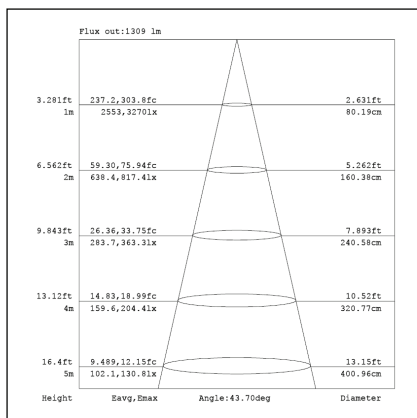
4000K



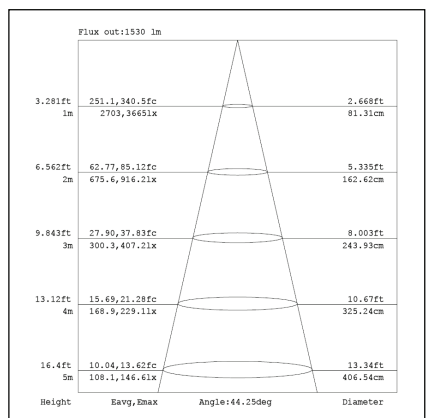
CRI80 48°



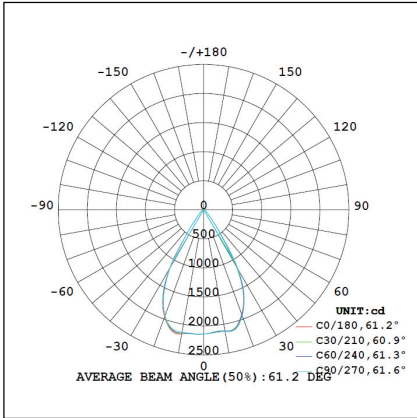
3000K



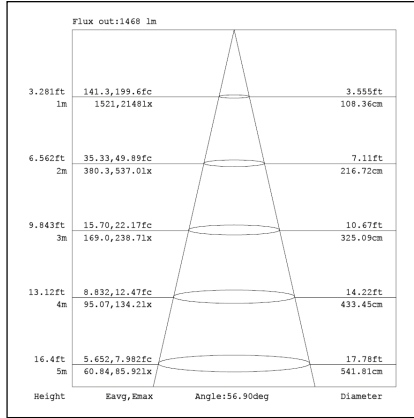
4000K



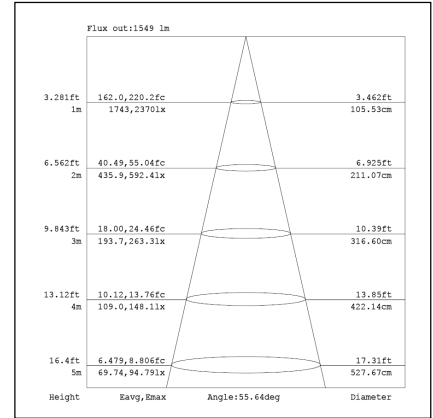
CRI80 60°



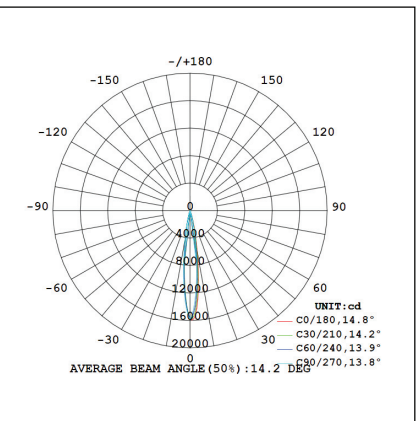
3000K



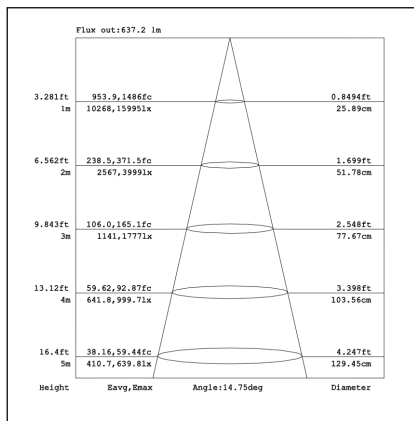
4000K



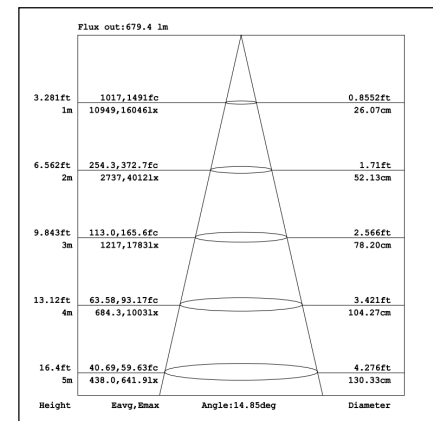
CRI90 15°



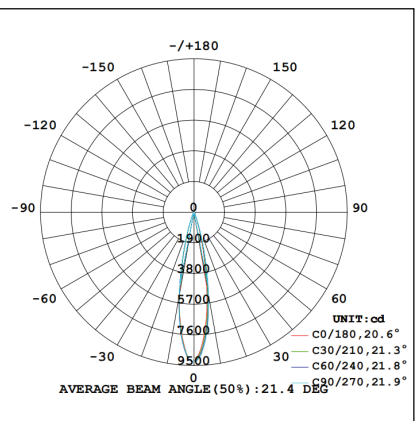
3000K



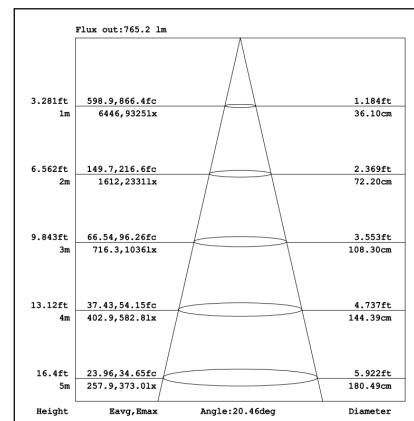
4000K



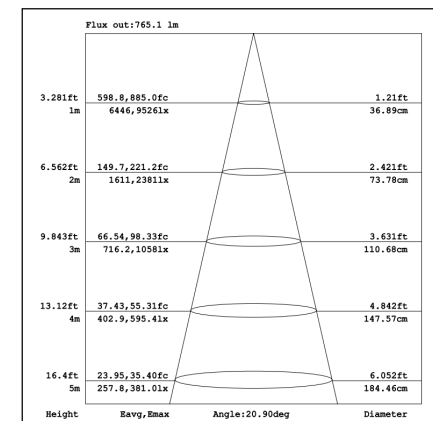
CRI90 20°



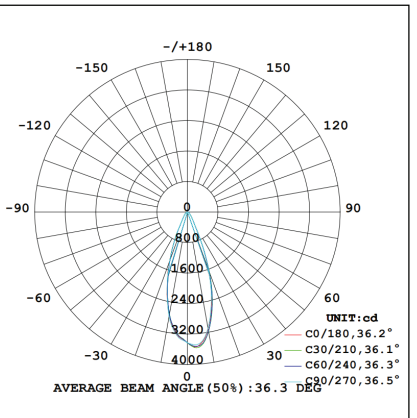
3000K



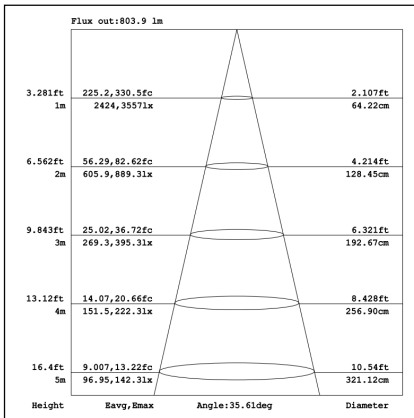
4000K



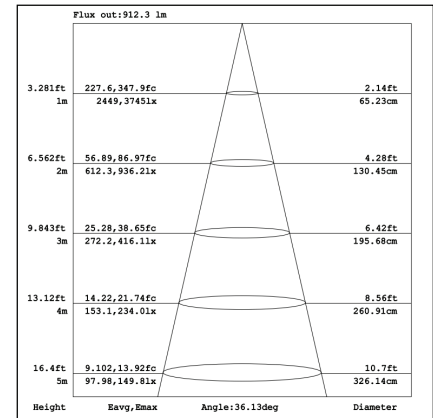
CRI90 36°



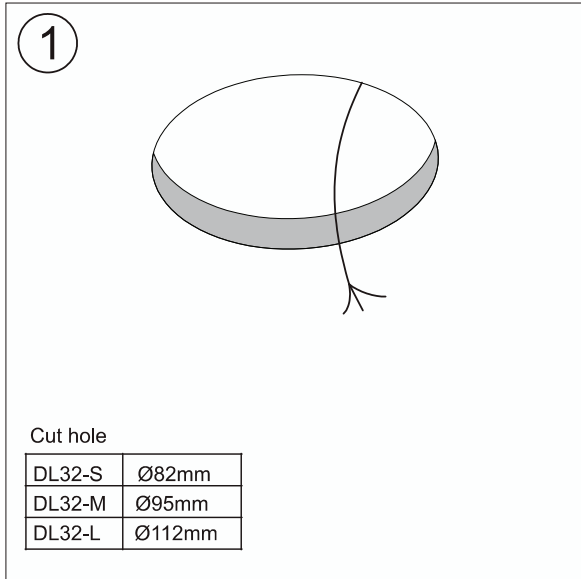
3000K



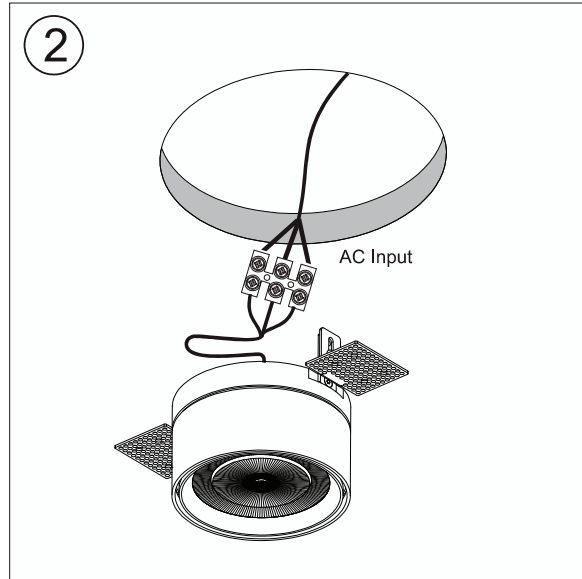
4000K



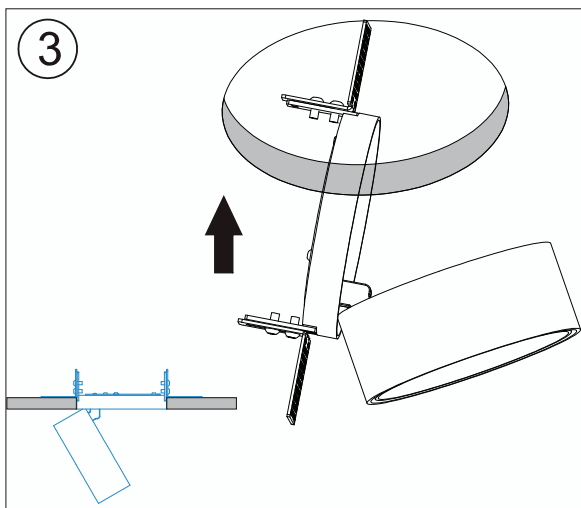
Installation instruction:



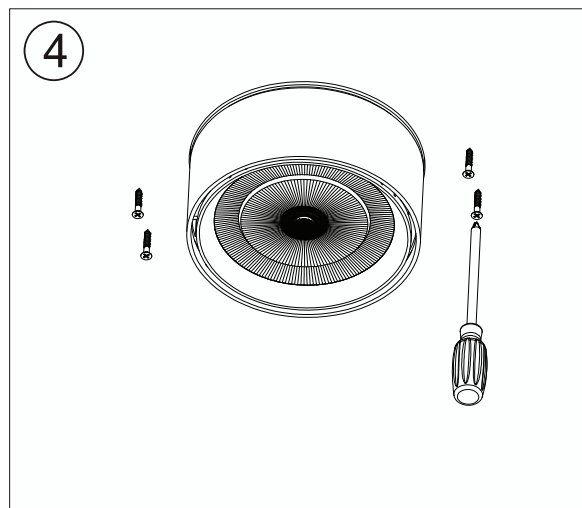
Cut hole



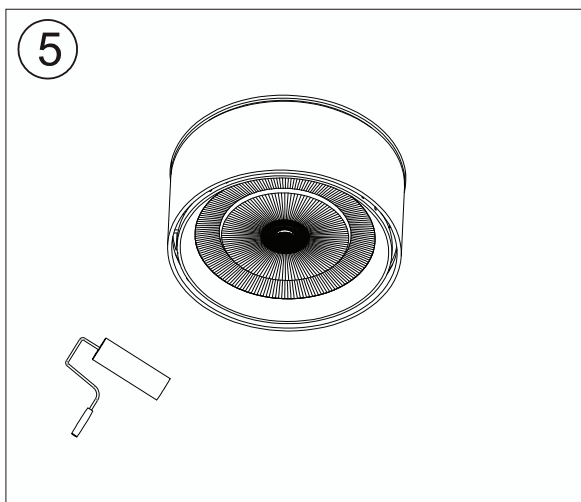
Connect Wire



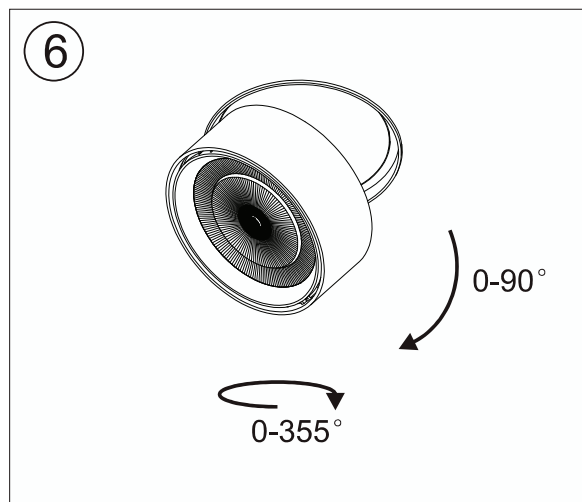
Paint the ceiling



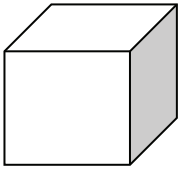
Fix the outer frame



Paint the ceiling



Packaging:

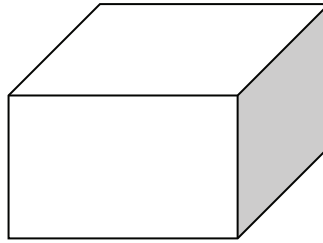


Box

L190*W110*H90mm

1pc/box

GW: 0.65kg/box



Outer carton

L580*W390*H300mm

30pcs/CTN

GW: 20kg/carton