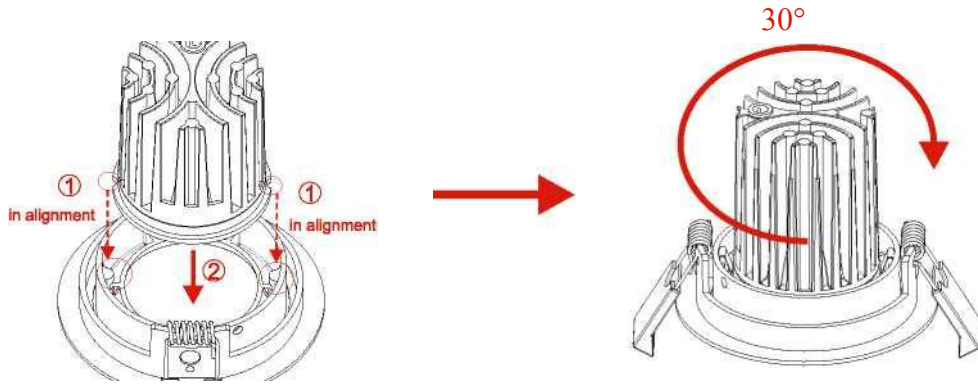
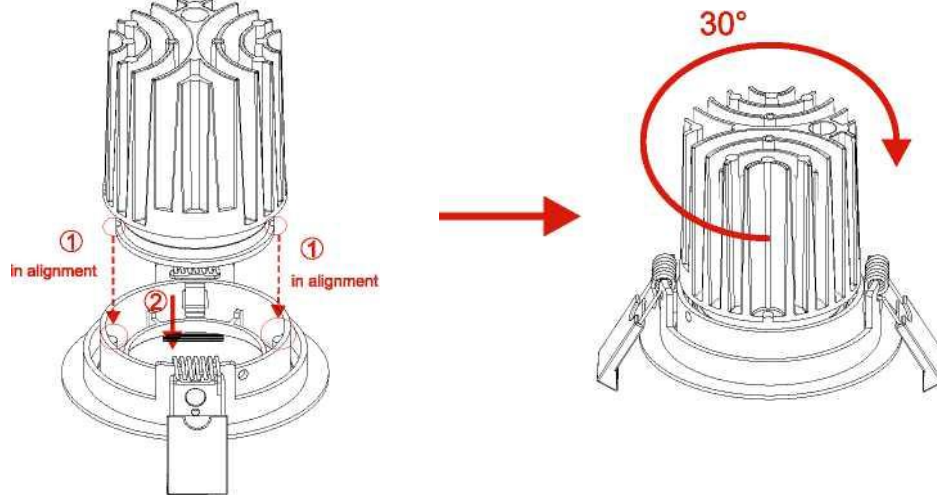


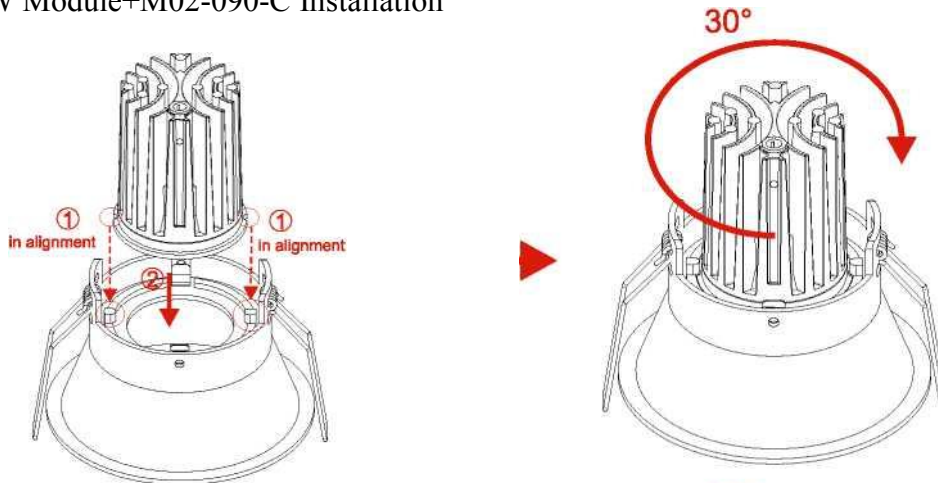
7W/9W Module+M01 -075/M01 -090-C/S Installation



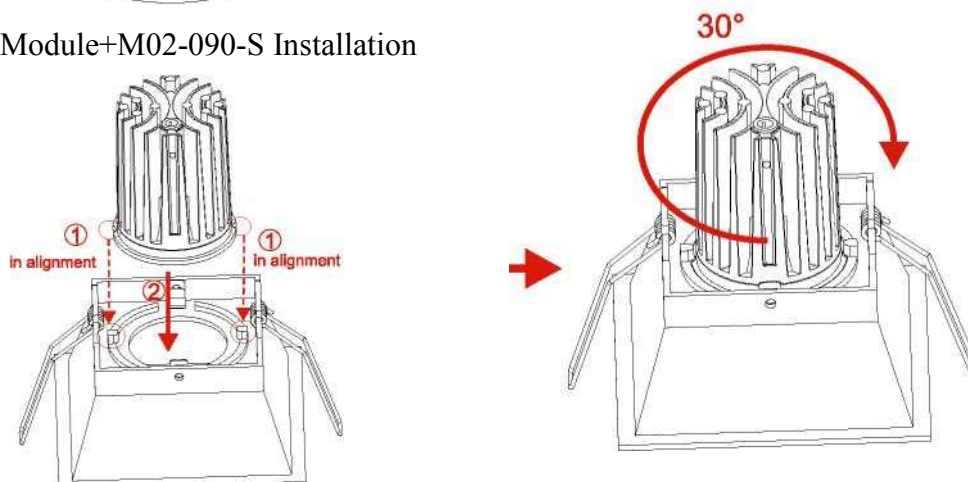
11W Module+M01-075/M01-090-C/S Installation



7W/9W Module+M02-090-C Installation

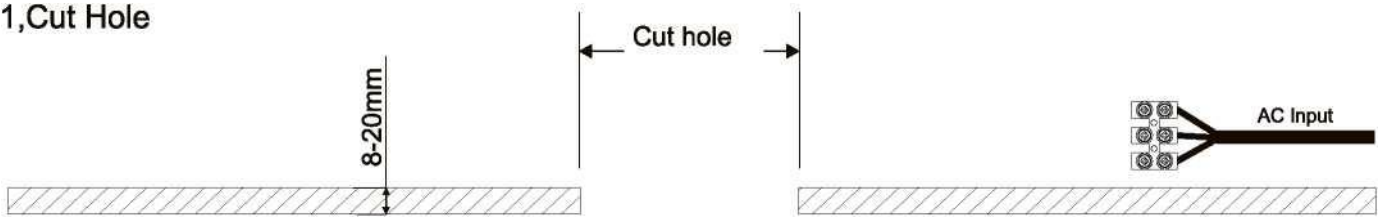


7W/9W Module+M02-090-S Installation

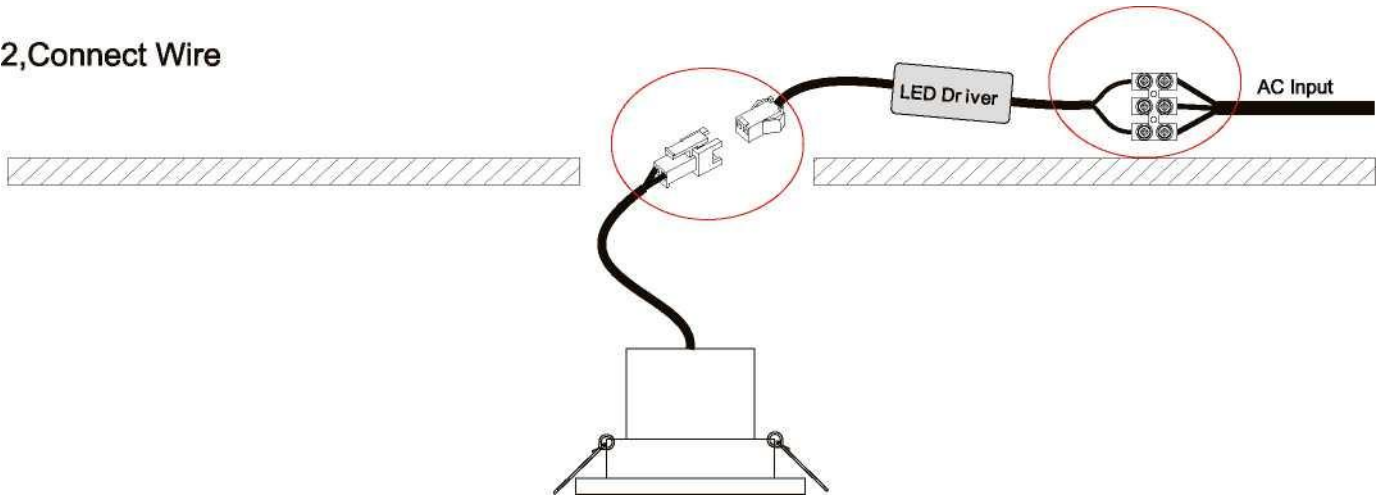


# Module Installation Instruction

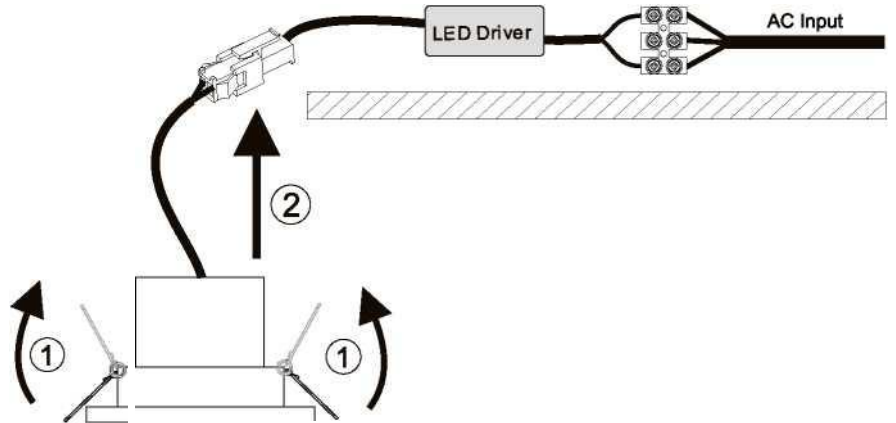
## 1, Cut Hole



## 2, Connect Wire



## 3, Fit the luminaire in the hole



## 4, Finish

