

Combination Instructions of GL13 Grille downlight:

1 , Materials list .



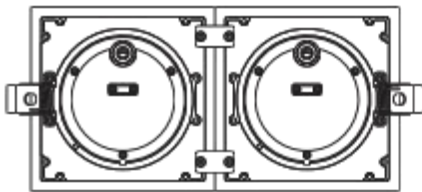
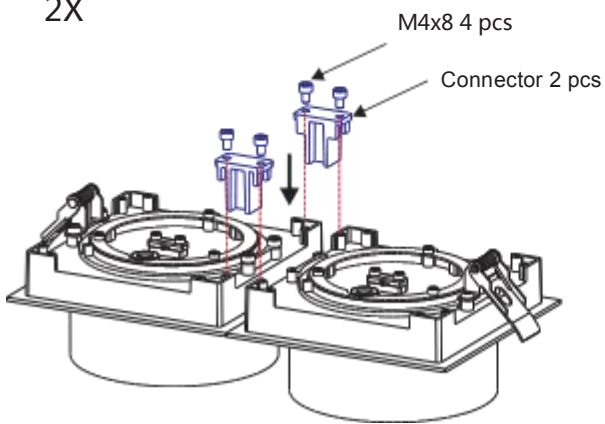
GL13 lamp



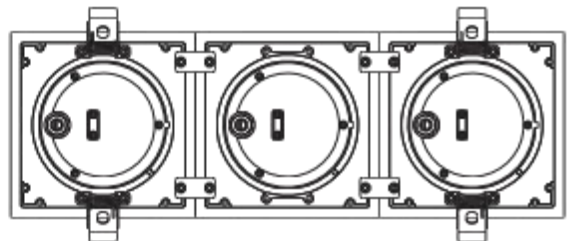
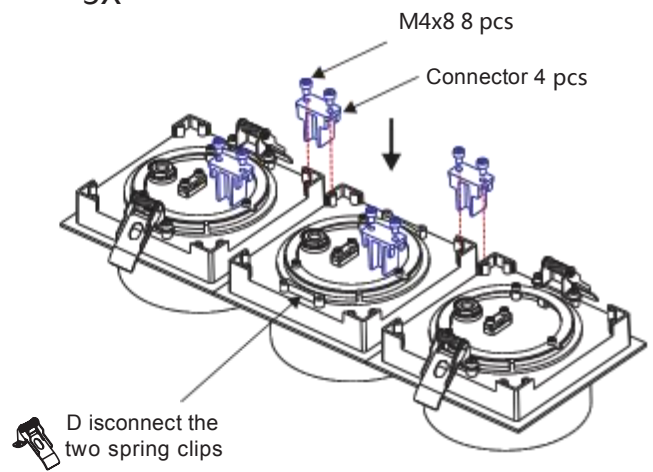
Connection sets(2 pcs a set)
Screw M4X8(4 pcs a set)

2 ,Combination P rocess

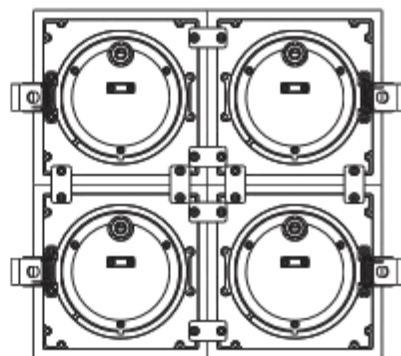
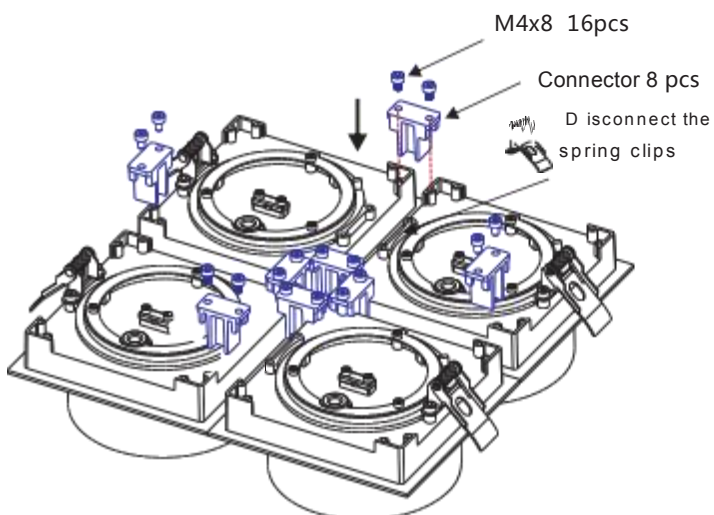
2X



3X

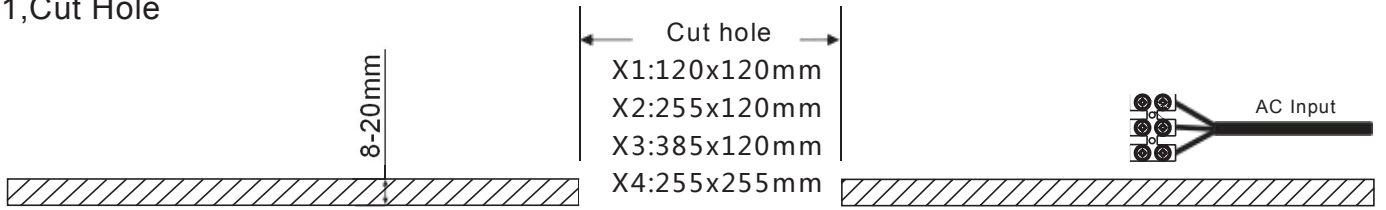


4X

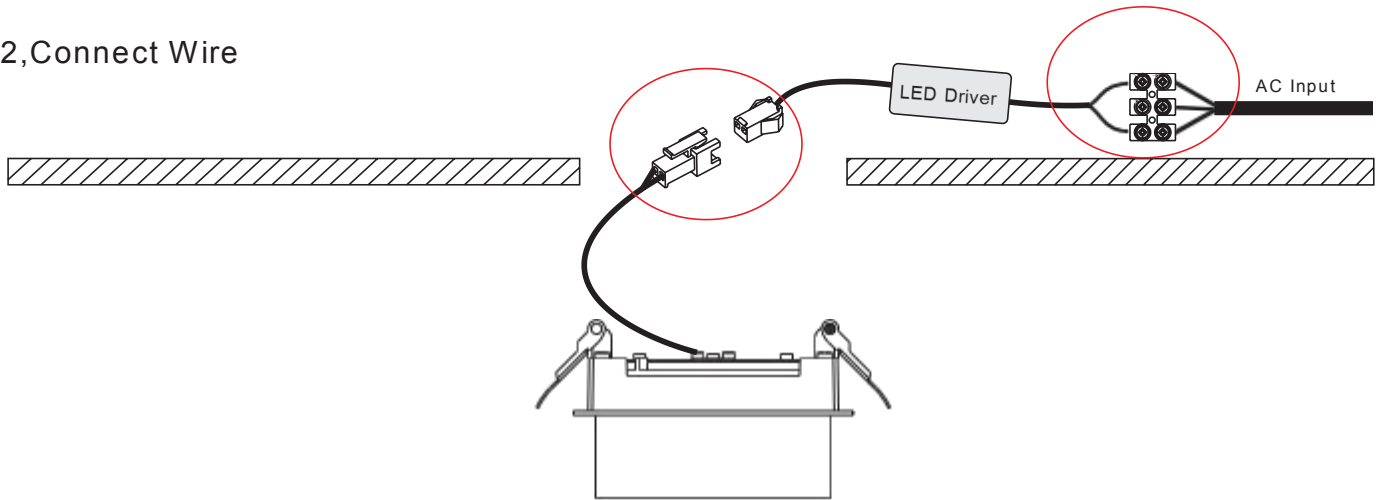


GL13 Installation Instruction

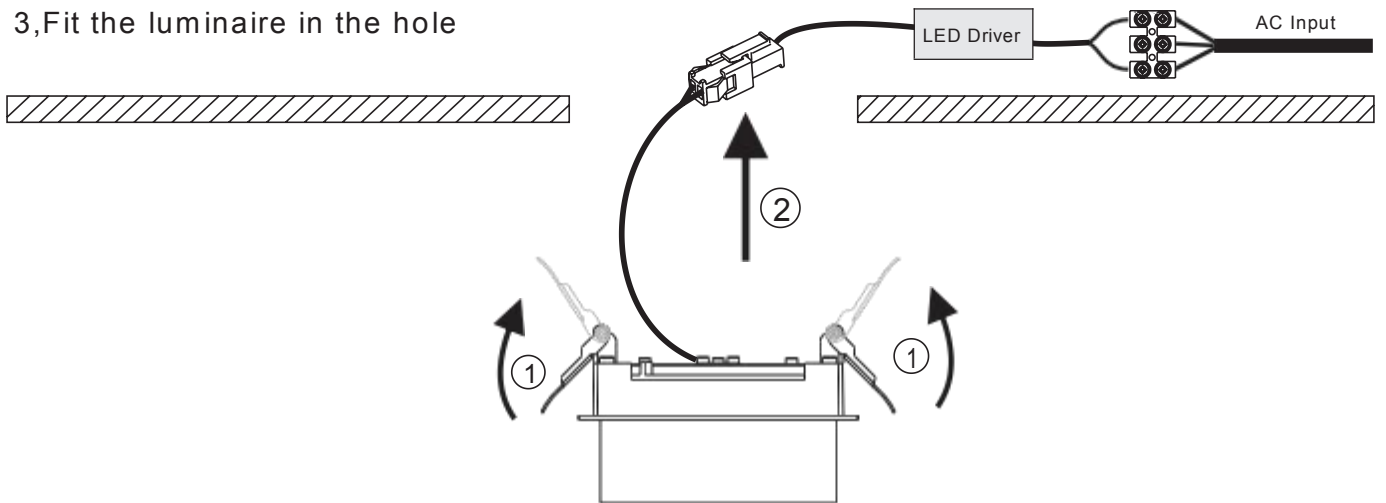
1, Cut Hole



2, Connect Wire



3, Fit the luminaire in the hole



4, Finish

