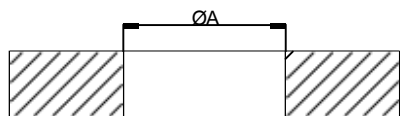
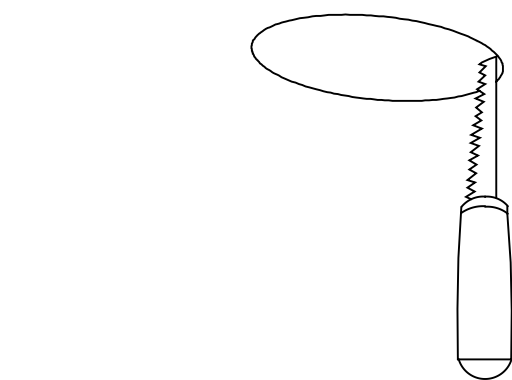


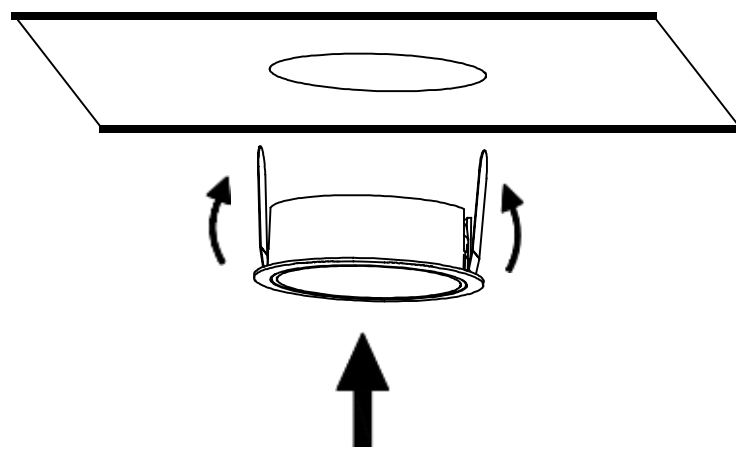
1 Suitable with 6-35mm ceiling



Cut hole

	A
GEG2055	Ø55mm
GEG2075	Ø75mm
GEG2095	Ø95mm

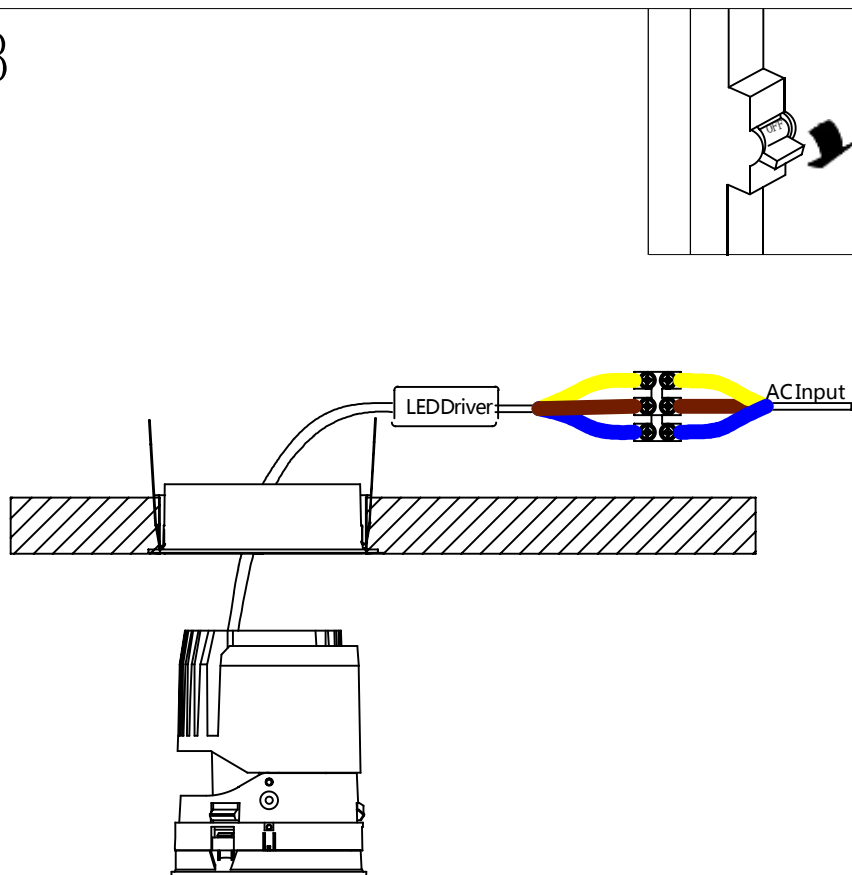
2



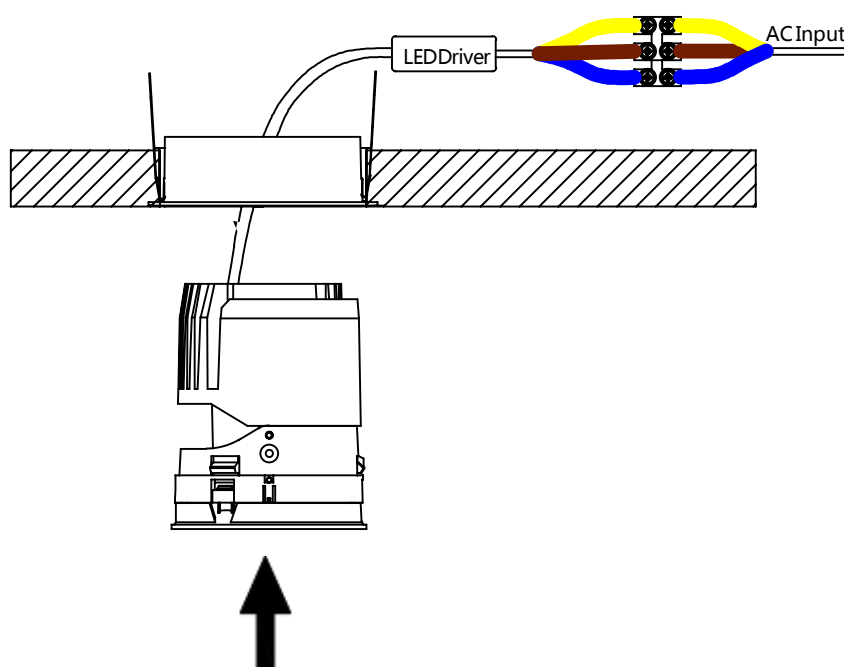
1、Ensure the mains power is turned off, cut hole.

2、Fit front ring in the hole.

3



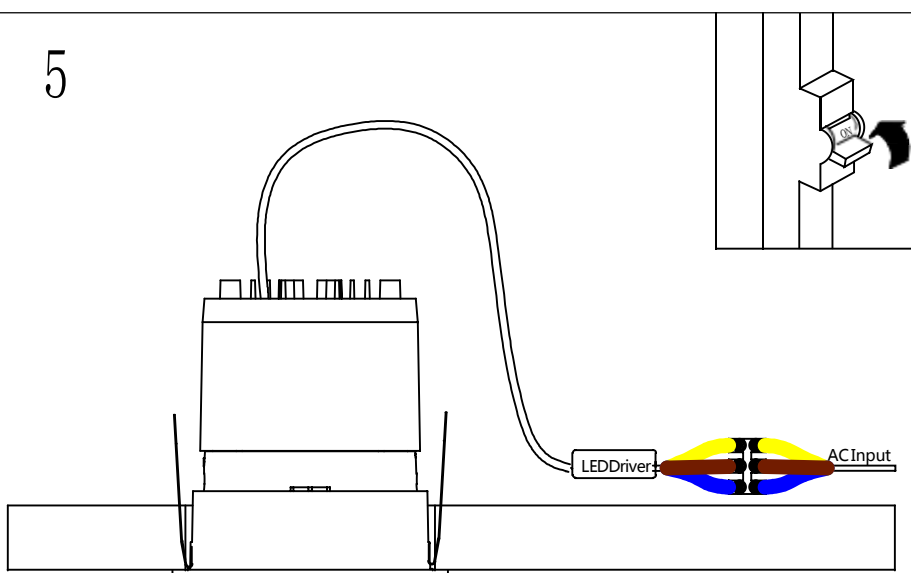
4



3、Connect wire.

4、Fit light engine in front ring, ensure light engine is tightly fixed.

5



5、Installation is complete.