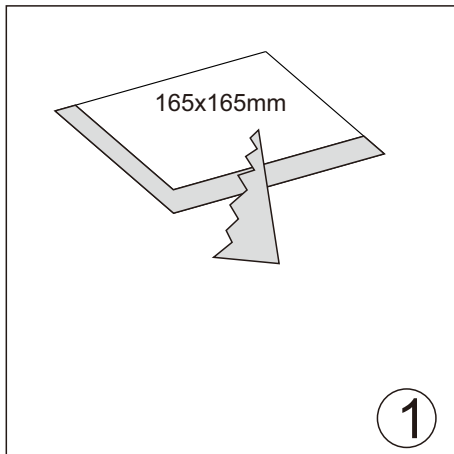
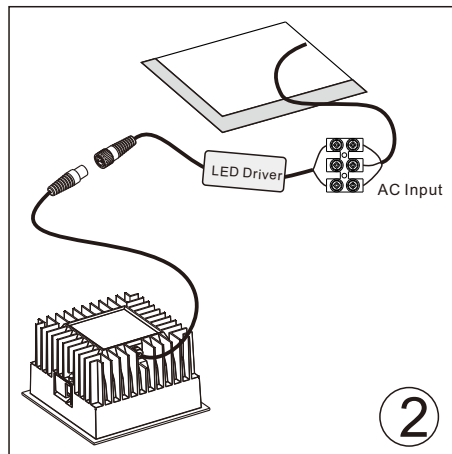


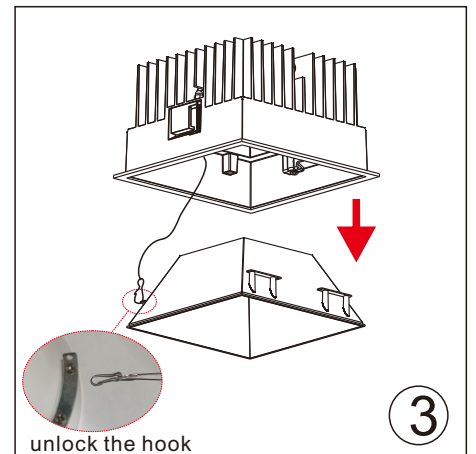
DP165S Installation Instruction



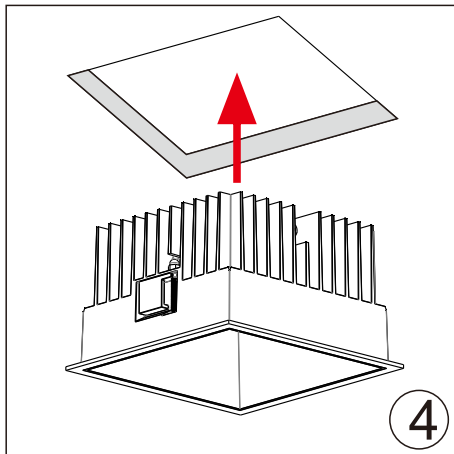
Ceiling Cut Hole 165x165mm



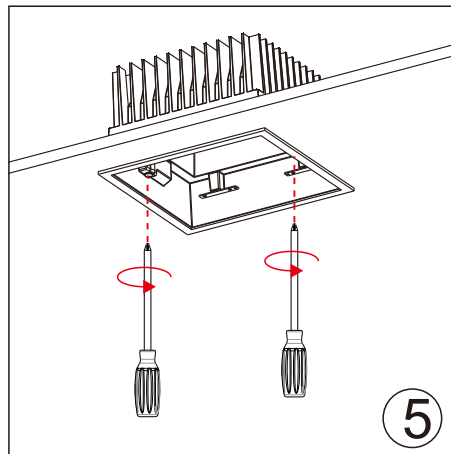
Connect Wire



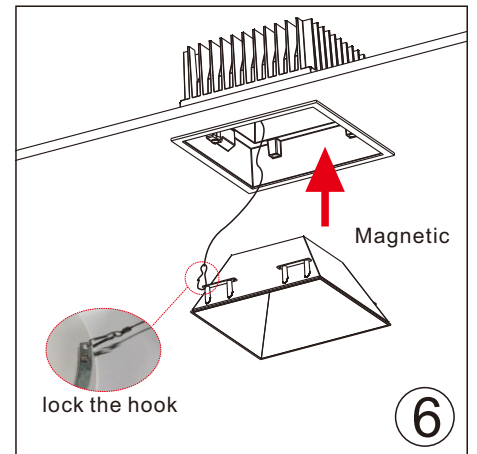
Unlock and take out the front ring.



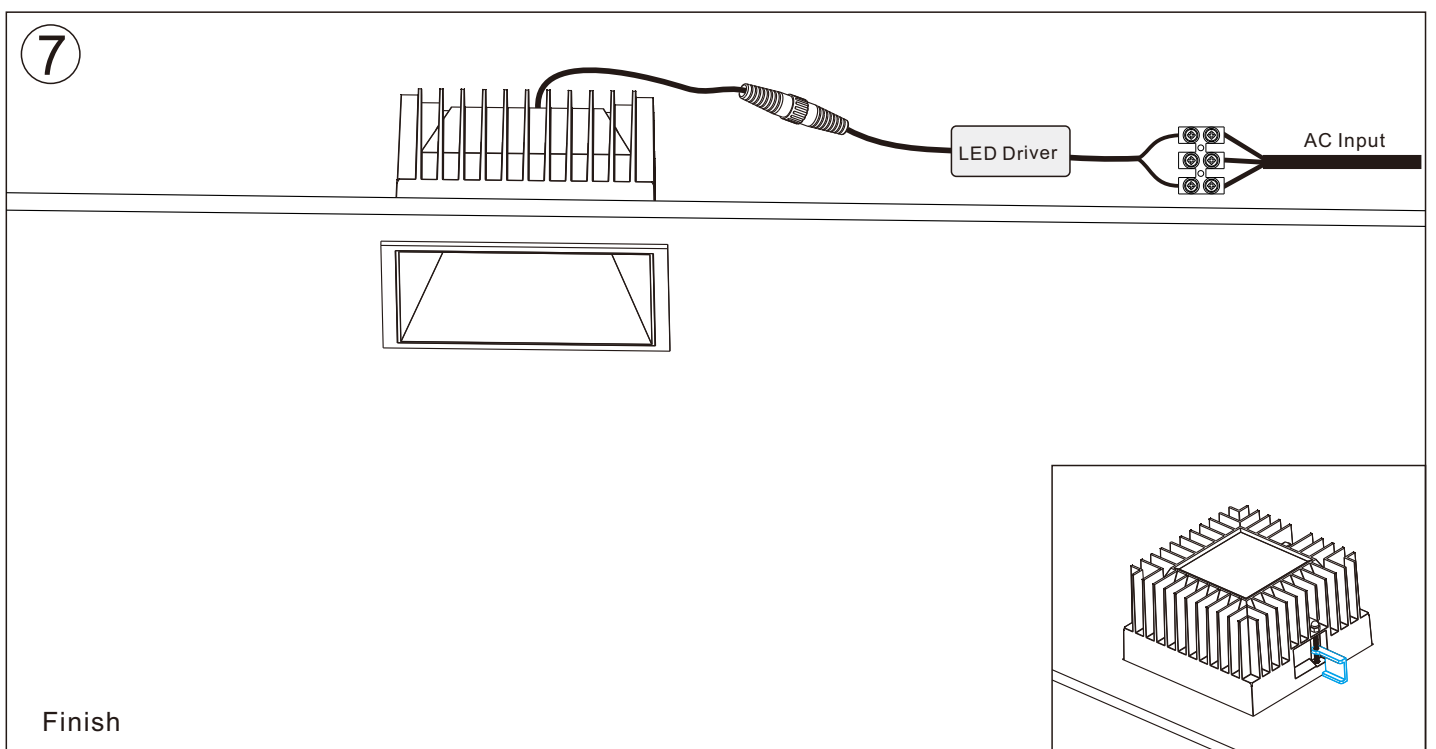
Put the lamp into the cut hole.



Use the screw driver to tighten the screw.



lock the hook



Finish