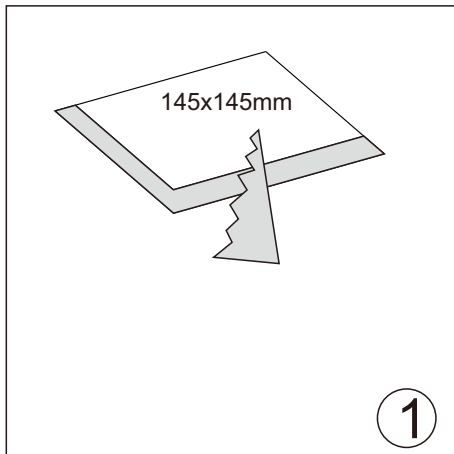
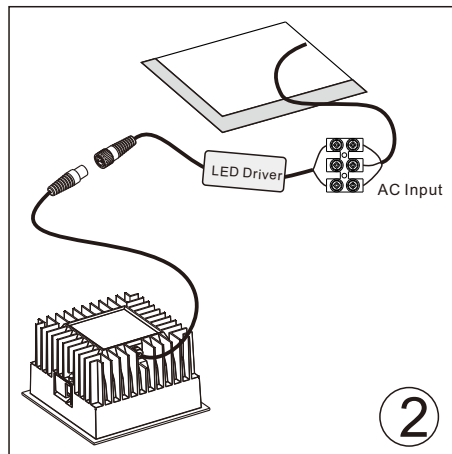


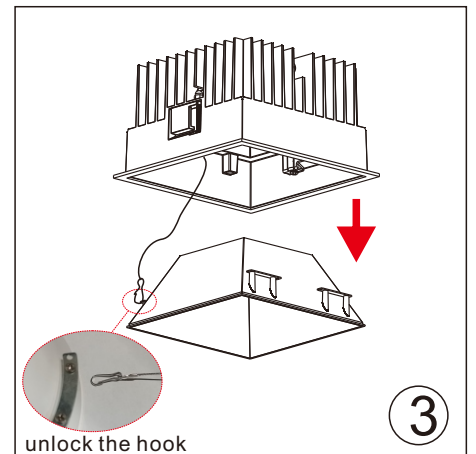
DP145S Installation Instruction



Ceiling Cut Hole 145x145mm

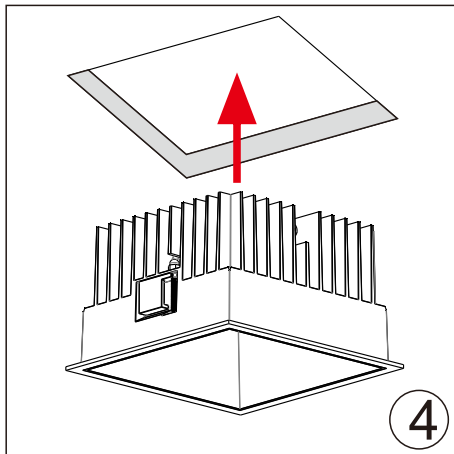


Connect Wire

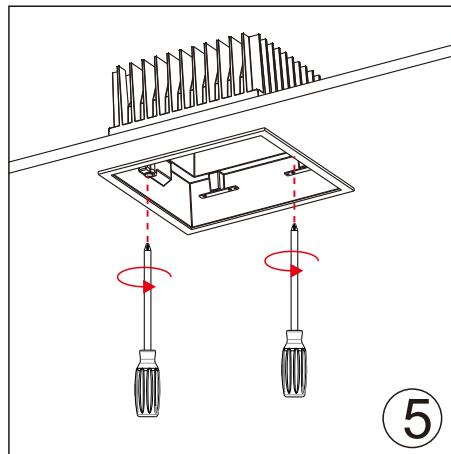


unlock the hook

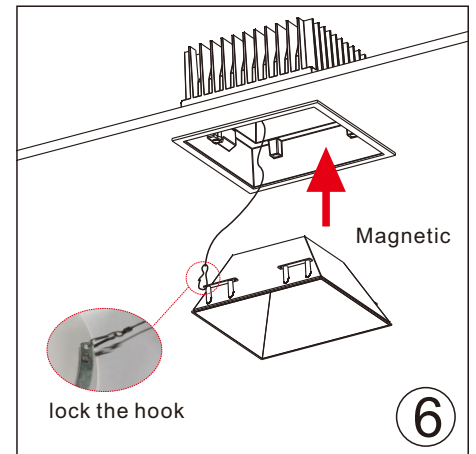
Unlock and take out the front ring.



Put the lamp into the cut hole.

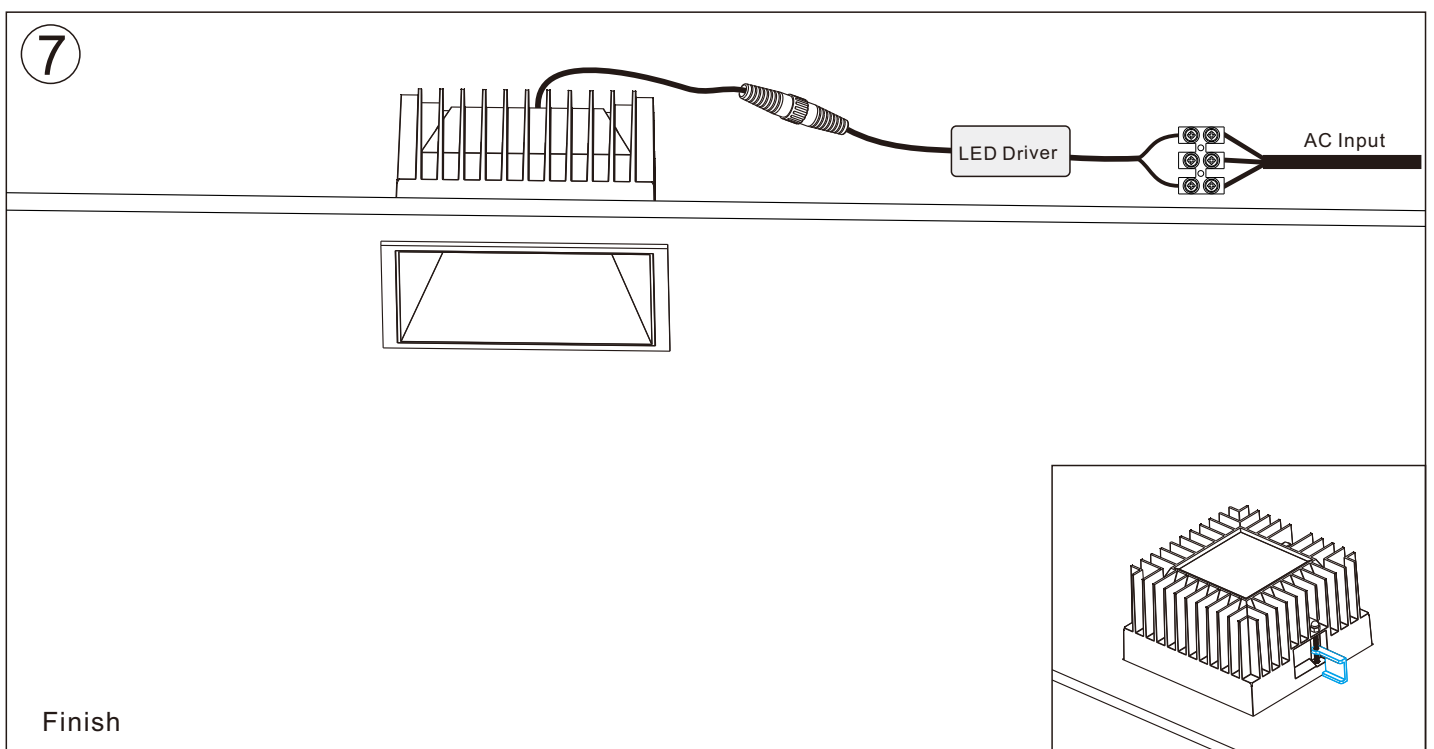


Use the screw driver to tighten the screw.



lock the hook

Magnetic



Finish