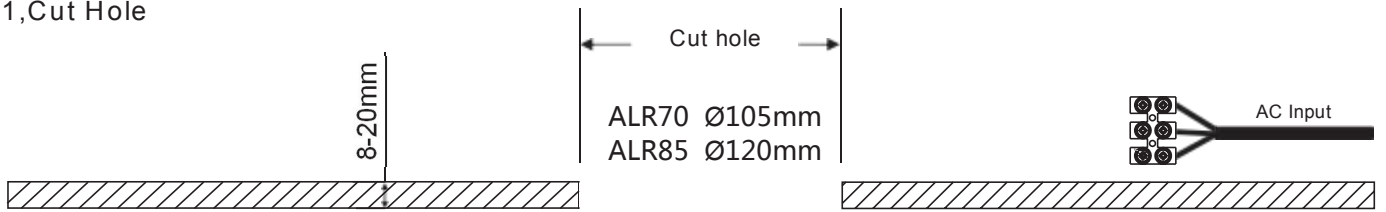
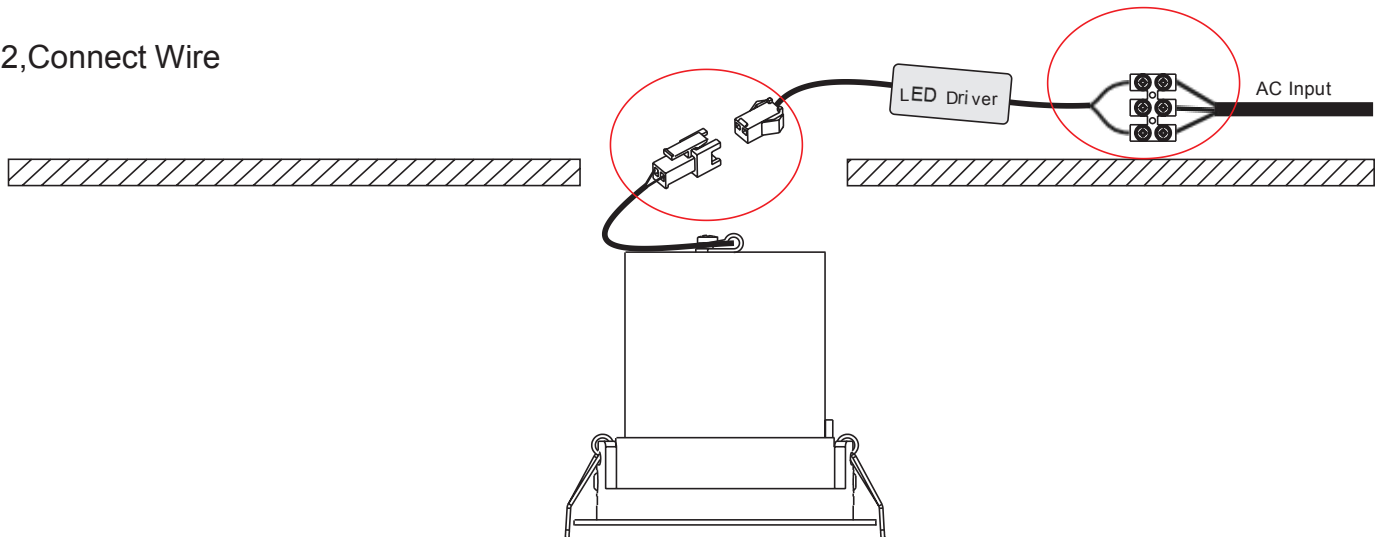


ALR70/ALR85 Installation Instruction

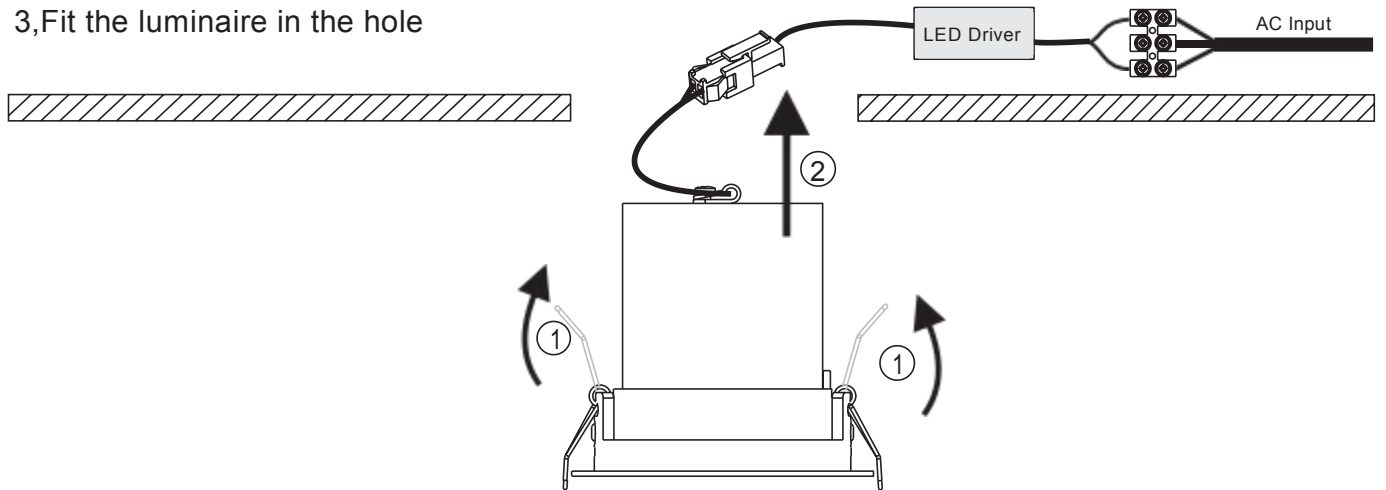
1, Cut Hole



2, Connect Wire



3, Fit the luminaire in the hole



4, Finish

