

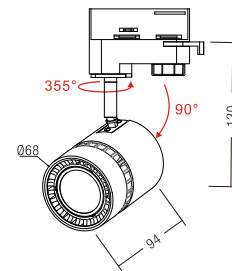
iTrack Pro Series

TL02-8W

Reflector

Technical Parameters:

Name	Parameters
Light source:	COB
Input Voltage:	AC220~240V 50/60Hz
LED Current:	200mA, 35-37V
Rated life:	>50,000 hours
Operating temperature:	-20℃~40℃
Storage temperature:	-30℃~60℃
Certificate:	CE/RoHS
Weight:	0.45KG



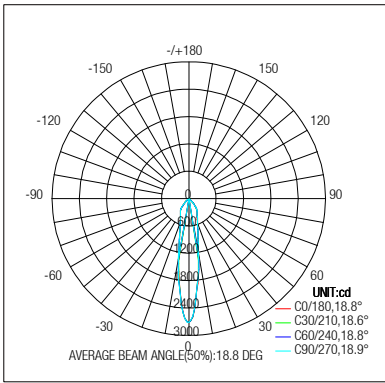
Ordering Information:

● Black ○ White+Black

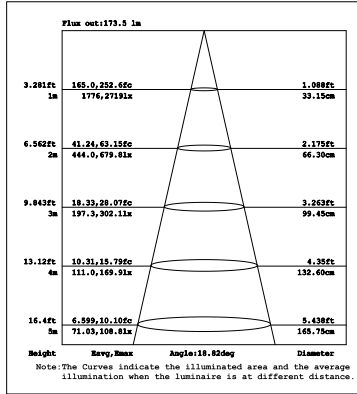
Power	CRI	Beam Angle	Luminous	CCT	Housing	Part Number
8W	>80	▲ 16°	930 lm	3000K	○	TL024-8W-830-W-16-02
					●	TL024-8W-830-B-16-02
		950 lm	4000K	○	TL024-8W-840-W-16-02	
				●	TL024-8W-840-B-16-02	
		▲ 28°	920 lm	3000K	○	TL024-8W-830-W-28-02
					●	TL024-8W-830-B-28-02
	930 lm	4000K	○	TL024-8W-840-W-28-02		
			●	TL024-8W-830-B-28-02		
	▲ 40°	930 lm	3000K	○	TL024-8W-830-W-40-02	
				●	TL024-8W-830-B-40-02	
	950 lm	4000K	○	TL024-8W-840-W-40-02		
			●	TL024-8W-840-B-40-02		
▲ 60°	930 lm	3000K	○	TL024-8W-830-W-60-02		
			●	TL024-8W-830-B-60-02		
940 lm	4000K	○	TL024-8W-840-W-60-02			
		●	TL024-8W-840-B-60-02			
>90	▲ 16°	770 lm	3000K	○	TL024-8W-930-W-16-02	
				●	TL024-8W-930-B-16-02	
	▲ 28°	750 lm	3000K	○	TL024-8W-930-W-28-02	
				●	TL024-8W-930-B-28-02	
	▲ 40°	770 lm	3000K	○	TL024-8W-930-W-40-02	
				●	TL024-8W-930-B-40-02	
▲ 60°	760 lm	3000K	○	TL024-8W-930-W-60-02		
		●	TL024-8W-930-B-60-02			

Technical Data test pattern

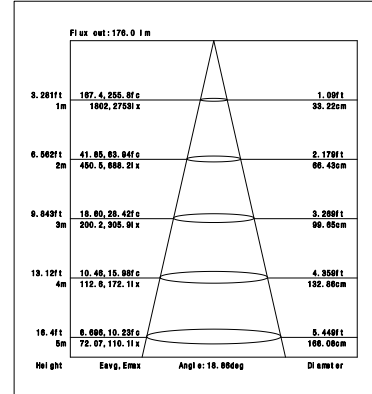
CRI80 16°



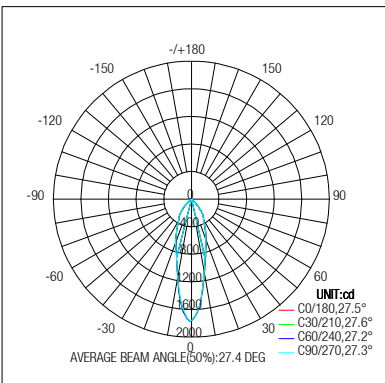
3000K



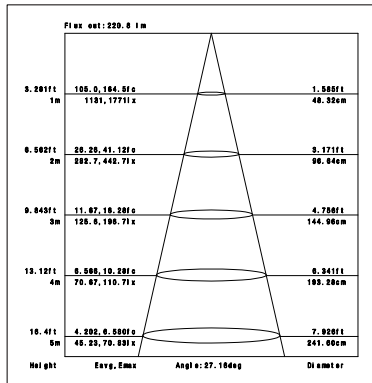
4000K



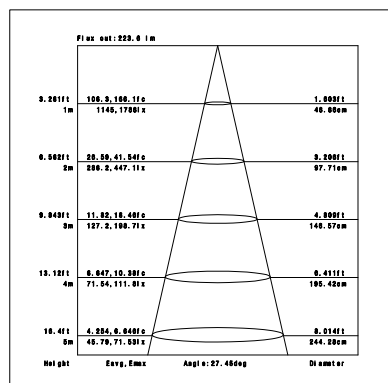
CRI80 28°



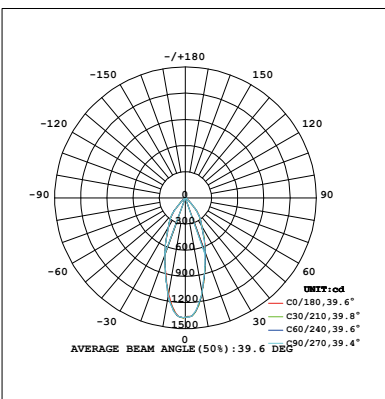
3000K



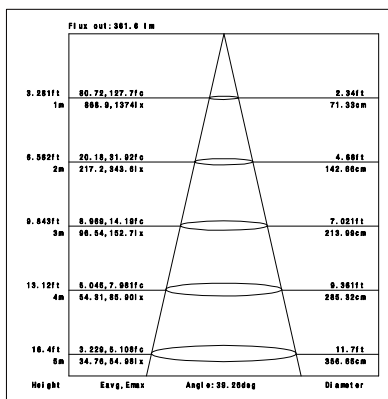
4000K



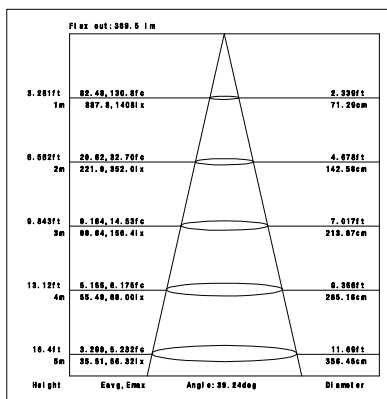
CRI80 40°



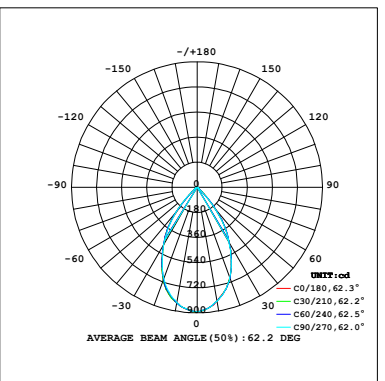
3000K



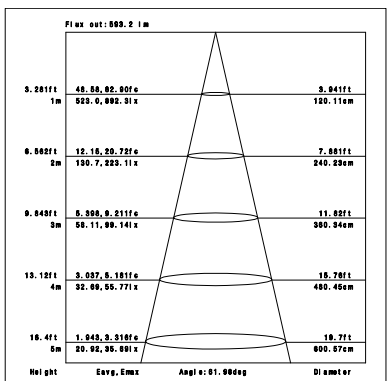
4000K



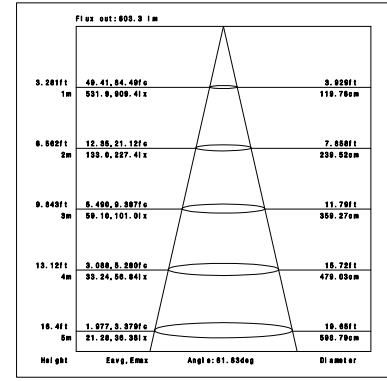
CRI80 60°



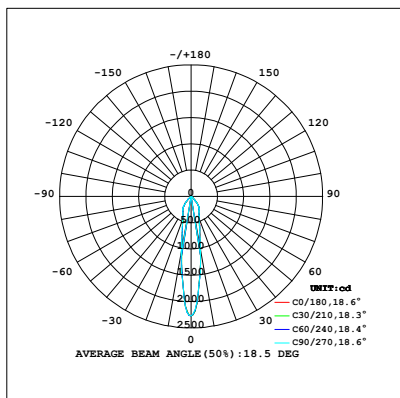
3000K



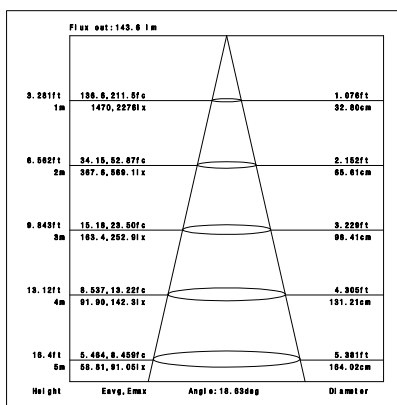
4000K



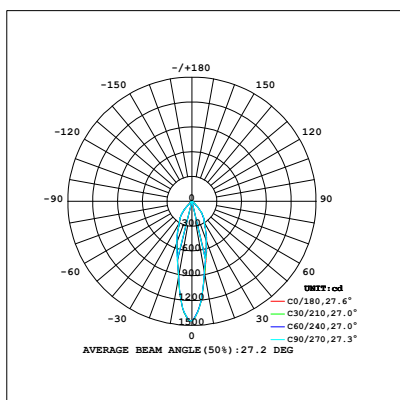
CRI90 16°



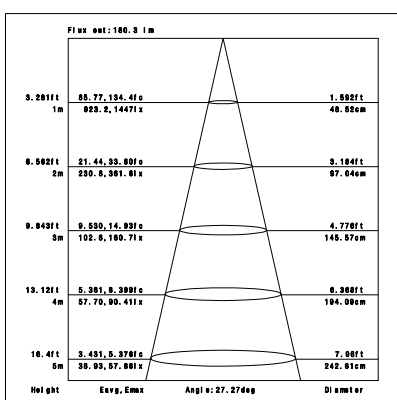
3000K



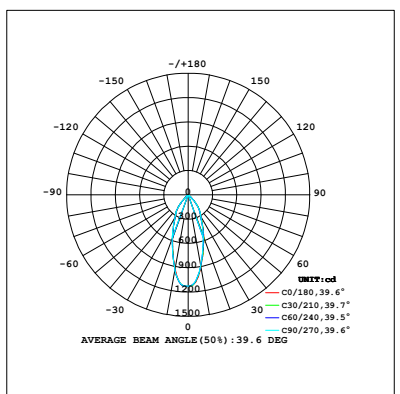
CRI90 28°



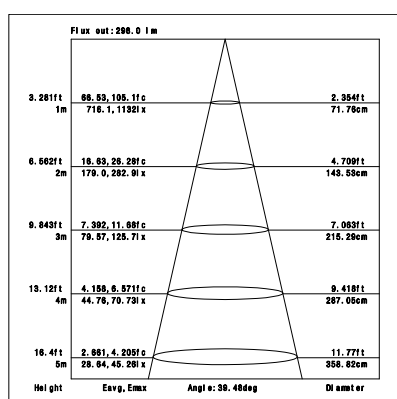
3000K



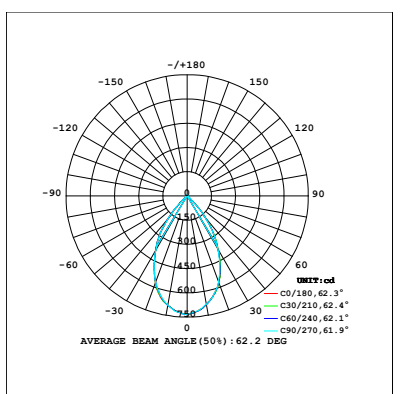
CRI90 40°



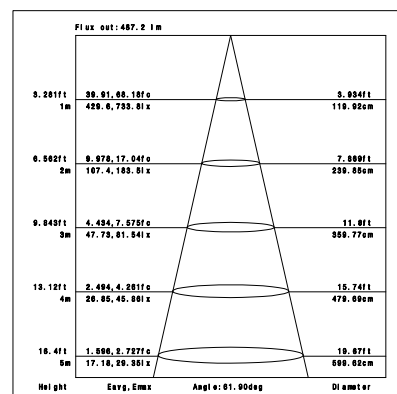
3000K



CRI90 60°



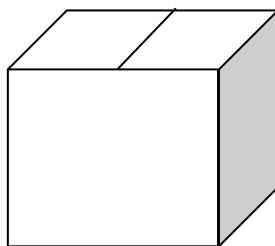
3000K



Packaging:



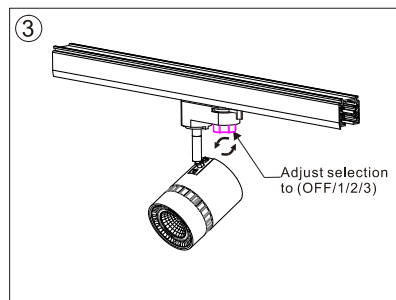
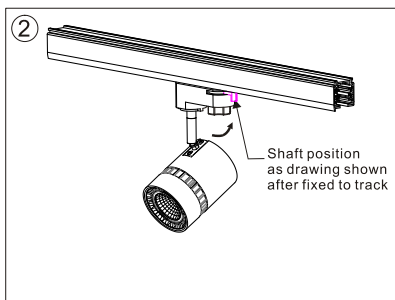
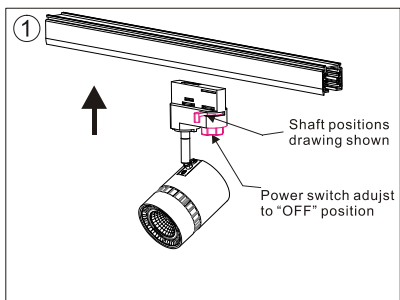
Box
 L210*W140*H100mm
 1pc/box
 GW: 0.6kg/box



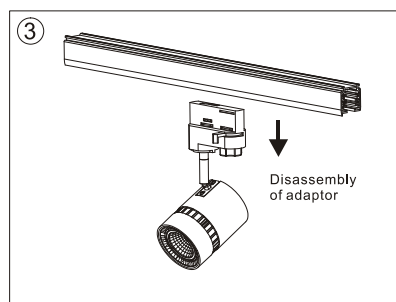
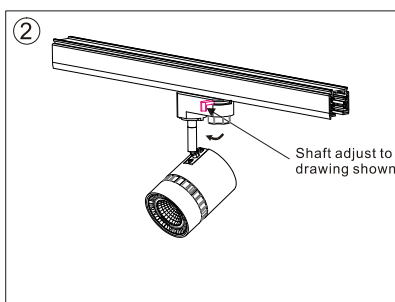
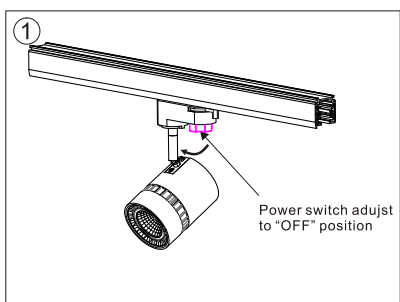
Outer carton
 L450*W450*H410mm
 24pcs/CTN
 GW: 16kg/carton

Installation instruction

Adaptor installation diagram



Adaptor disassembly diagram



Product naming system

TL (X) XX X (H) - XW - X XX - X - XX

