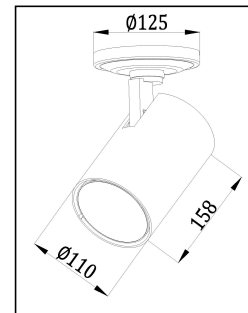


iTrack Pro Series

**RL062-20W**

Reflector



**Technical Parameters:**

Name	Parameters
Light source:	COB
Input Voltage:	AC220~240V 50/60Hz
LED Current:	500mA, 35-37V
Rated life:	>50,000 hours
Operating temperature:	-20°C ~40°C
Storage temperature:	-30°C ~60°C
Certificate:	CE/RoHS
Weight:	1.15KG

**Ordering Information:**

○ White ● Black

Power	CRI	Beam Angle	Luminous	CCT	Housing	Part Number
20W	>80	▲ 10°	2040 lm	3000K	○	RL062-20W-830-W-10
					●	RL062-20W-830-B-10
		2050 lm	4000K	○	RL062-20W-840-W-10	
				●	RL062-20W-840-B-10	
		▲ 20°	2060 lm	3000K	○	RL062-20W-830-W-20
					●	RL062-20W-830-B-20
	2060 lm	4000K	○	RL062-20W-840-W-20		
			●	RL062-20W-840-B-20		
	▲ 38°	2050 lm	3000K	○	RL062-20W-830-W-38	
				●	RL062-20W-830-B-38	
	2040 lm	4000K	○	RL062-20W-840-W-38		
			●	RL062-20W-840-B-38		
>90	>80	▲ 10°	1730 lm	3000K	○	RL062-20W-930-W-10
					●	RL062-20W-930-B-10
		1870 lm	4000K	○	RL062-20W-940-W-10	
				●	RL062-20W-940-B-10	
		▲ 20°	1750 lm	3000K	○	RL062-20W-930-W-20
					●	RL062-20W-930-B-20
	1900 lm	4000K	○	RL062-20W-940-W-20		
			●	RL062-20W-940-B-20		
	▲ 38°	1750 lm	3000K	○	RL062-20W-930-W-38	
				●	RL062-20W-930-B-38	
	1890 lm	4000K	○	RL062-20W-940-W-38		
			●	RL062-20W-940-B-38		

**Technical Data test pattern**

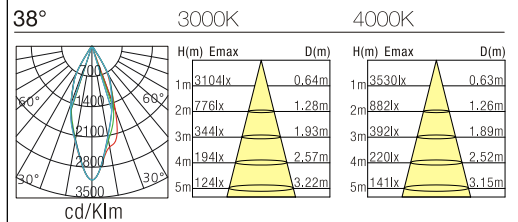
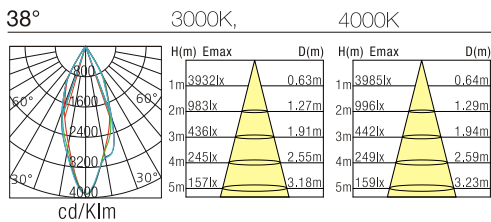
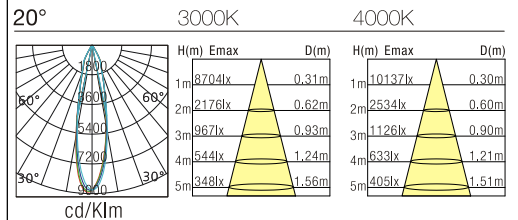
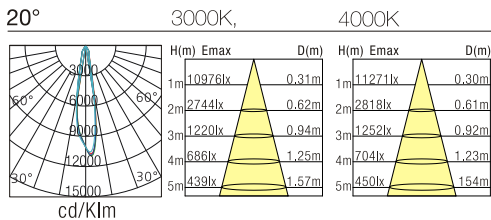
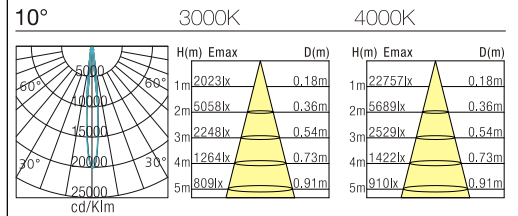
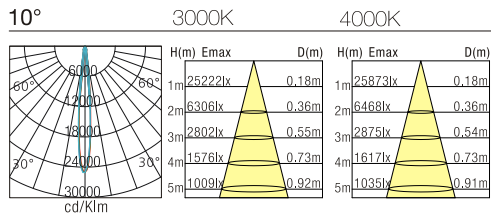
20W	CRI>80		CRI>90	
	LED	Luminaire	LED	Luminaire



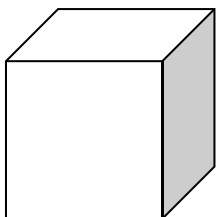
# LED TRACK LIGHT



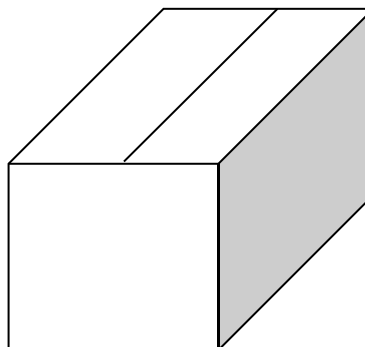
Power	12.5W				19.8W				12.5W				19.8W		
Current	360mA				500mA				360mA				500mA		
Flux (lm)	1597	1673	1729	1754	1800	1967	2002	2050	1326	1389	1435	1450	1569	1764	
CCT	2700K	3000K	4000K	5000K	2700K	3000K	4000K	5000K	2700K	3000K	4000K	2700K	3000K	4000K	
Color tolerance	3 SDCM			4 SDCM					3 SDCM						
Beam Angle	120°				10°/20°/38°				120°				10°/20°/38°		
Typical Efficiency					88%								88%		
Efficacy (lm/W)	128	134	139	141	91	99	101	103.5	106	111	115	72.5	79.2	89	



## Packaging:



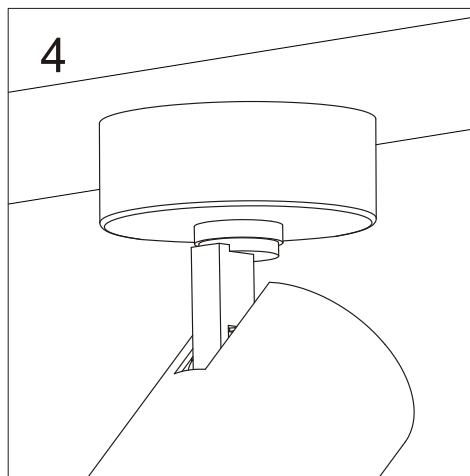
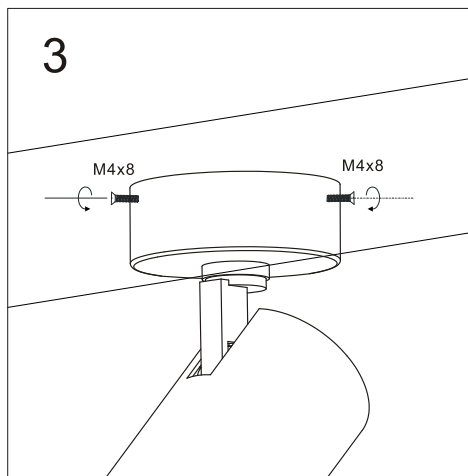
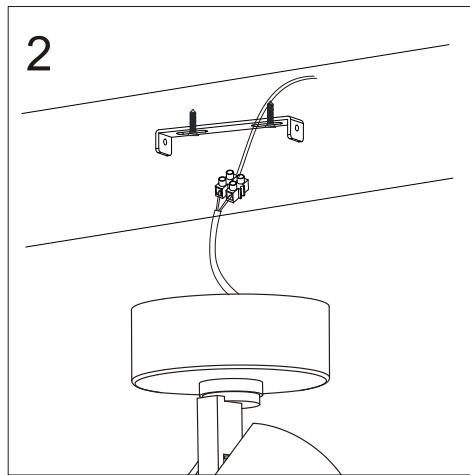
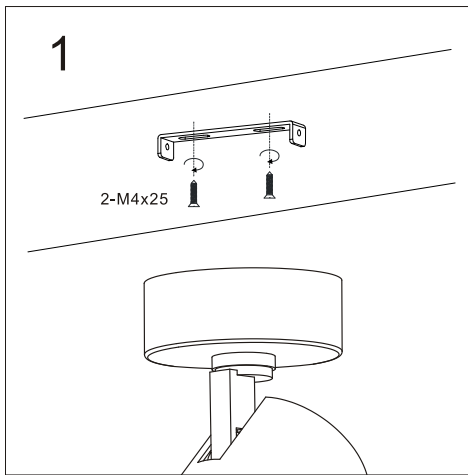
Box  
L195\*W130\*H240mm  
1pc/box  
GW: 1.15kg/box



Outer carton  
L540\*W410\*H260mm  
8 pcs/CTN  
GW: 10.5kg/carton

## Installation instruction





Product naming system

**RL ( X ) XX X (H) - XW - X XX - X- XX**

