

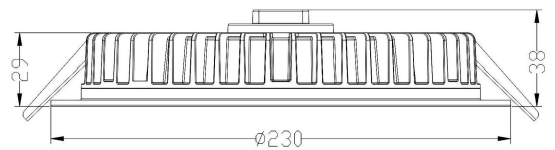
Combolite Series

BL29-26W



Technical Parameters:

Name	Parameters
Light source:	2835 SMD (144pcs)
Input Voltage:	AC220~240V 50/60Hz
LED Current:	700mA (36V)
Rated life:	>50,000 hours
Operating temperature:	-20°C~40°C
Storage temperature:	-30°C~60°C
Certificate:	
Dimmability:	Dimmable Optional
Weight:	0.75KG



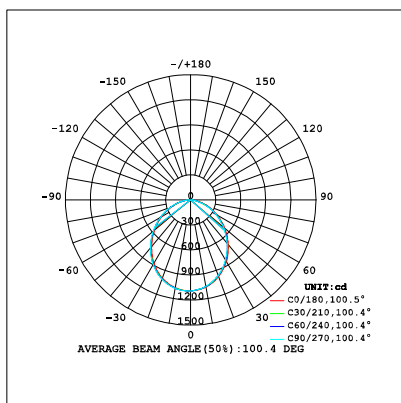
Ordering Information:

White+Black

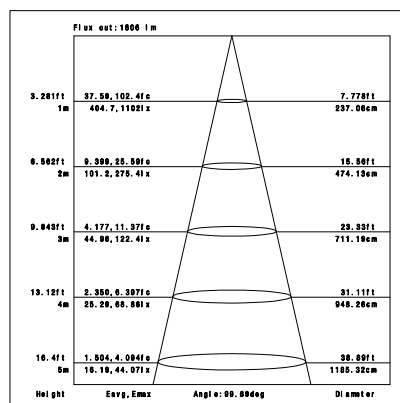
Power	CRI	Beam Angle	Luminous	CCT	Housing	Part Number
26W	>80	90°	2800 lm	3000K	☉	B292-26W-830-W-90
			2890 lm	4000K	☉	B292-26W-840-W-90

Technical Data test pattern

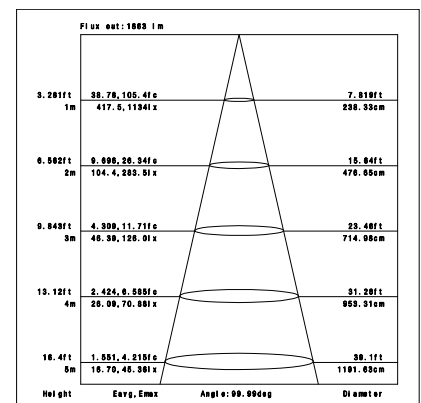
CRI80 90°



3000K

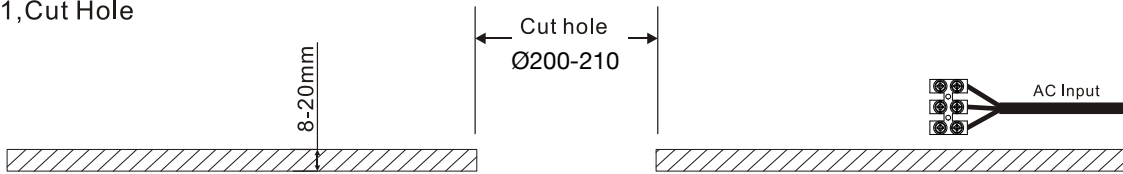


4000K

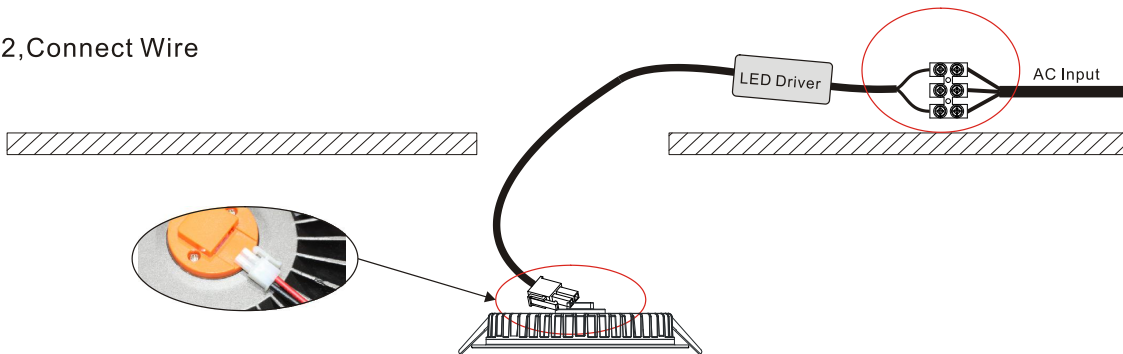


Installation instruction

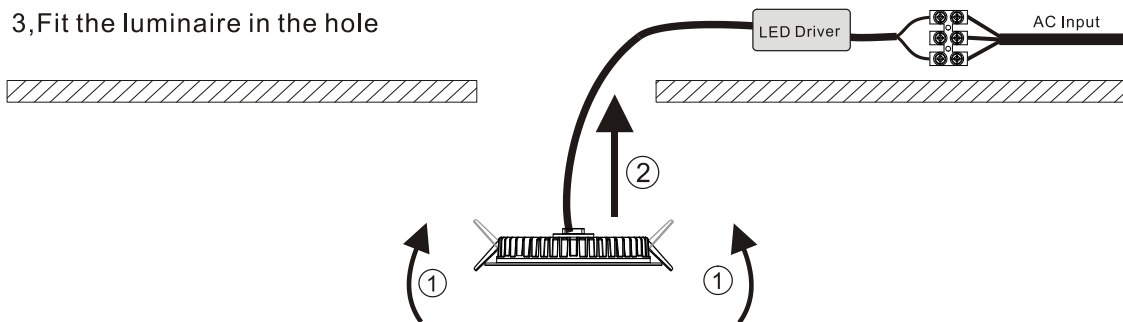
1, Cut Hole



2, Connect Wire



3, Fit the luminaire in the hole



4, Finish



Packaging:

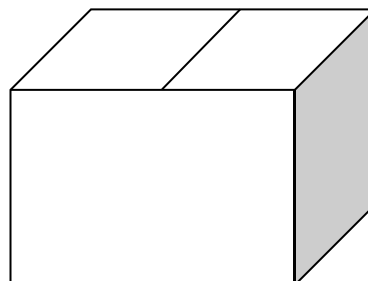


Box

L260*W260*H68mm

1pc/box

GW: 0.85kg/box



Outer carton

L545*W545*H230mm

12pcs/CTN

GW: 11kg/carton

Product naming system

