

Combolite Series

BL19-30W/40W

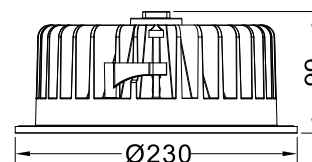
Reflector

Technical Parameters:

| Name | Parameters |
|------------------------|--|
| Light source: | 5630 SMD (60PCS 30W) 5630 SMD (96PCS 40W) |
| Input Voltage: | AC220~240V 50/60Hz |
| LED Current: | 700mA (36V) 30W 1000mA (36V) 40W |
| Rated life: | >50,000 hours |
| Operating temperature: | -20℃~40℃ |
| Storage temperature: | -30℃~60℃ |
| Certificate: | |
| Dimmability: | Dimmable Optional |
| Weight: | 1.5KG |



200-210



Ordering Information:

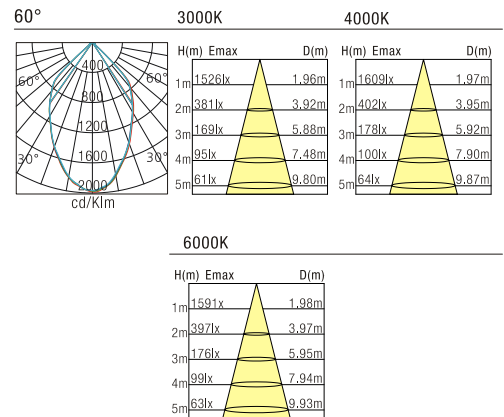
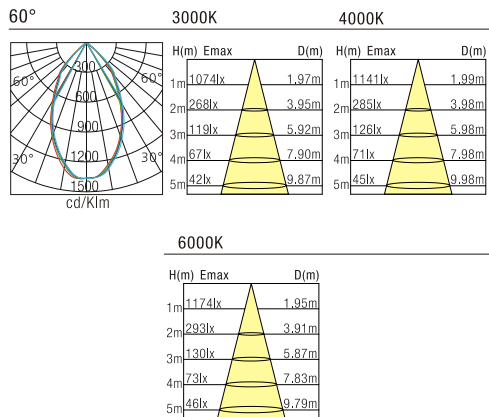
Ⓞ White+ Gray

| Power | CRI | Beam Angle | Luminous | CCT | Housing | Part Number |
|-------|-----|------------|----------|-------|---------|--------------------|
| 30W | >80 | 60° | 3110 lm | 3000K | Ⓞ | BL192-30W-830-W-60 |
| | | | 3260 lm | 4000K | Ⓞ | BL192-30W-840-W-60 |
| | >90 | 60° | 2740 lm | 3000K | Ⓞ | BL192-30W-930-W-60 |
| | | | 2890 lm | 4000K | Ⓞ | BL192-30W-940-W-60 |
| 40W | >80 | 60° | 4380 lm | 3000K | Ⓞ | BL192-40W-830-W-60 |
| | | | 4420 lm | 4000K | Ⓞ | BL192-40W-840-W-60 |
| | >90 | 60° | 3620 lm | 3000K | Ⓞ | BL192-40W-930-W-60 |
| | | | 3950 lm | 4000K | Ⓞ | BL192-40W-940-W-60 |

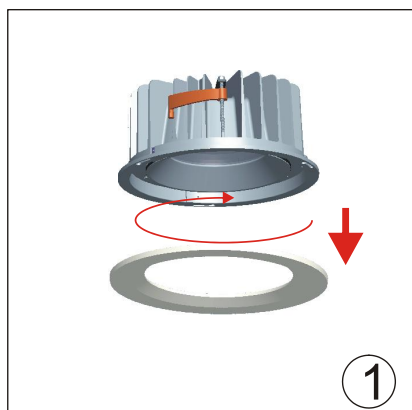
Technical Data test pattern

| | 30W CRI>80 | | |
|---------------------------|-------------------|------------|---------------|
| | SMD LED | Luminaire | |
| Power | 60x0.5W | 29.5W | |
| Current | 5B12C | 700mA | |
| Luminous Flux | | 2100lm | 2200lm 2300lm |
| CCT | 3000K 4000K 6000K | 3000K | 4000K 6000k |
| Color tolerance | | | |
| Service life | >50,000Hrs | >50,000Hrs | |
| Beam Angle | 120° | 90° | |
| Typical Efficiency | | 86% | |
| Efficacy(lm/W) | | 108 | 75 |

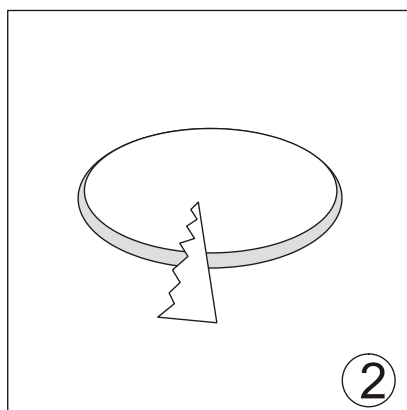
| | 40W CRI>80 | | |
|---------------------------|-------------------|------------|---------------|
| | SMD LED | Luminaire | |
| Power | 96x0.5W | 41.5W | |
| Current | 8B12C | 1000mA | |
| Luminous Flux | | 2900lm | 3100lm 3300lm |
| CCT | 3000K 4000K 6000K | 3000K | 4000K 6000K |
| Color tolerance | | | |
| Service life | >50,000Hrs | >50,000Hrs | |
| Beam Angle | 120° | 90° | |
| Typical Efficiency | | 87% | |
| Efficacy(lm/W) | | 70 | 75 80 |



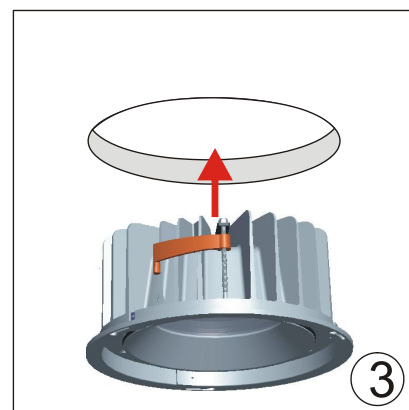
Installation instruction



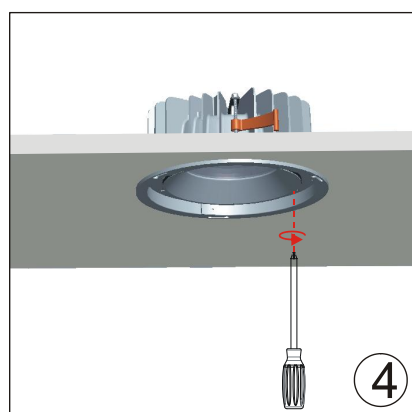
Unlock and take out the front ring.



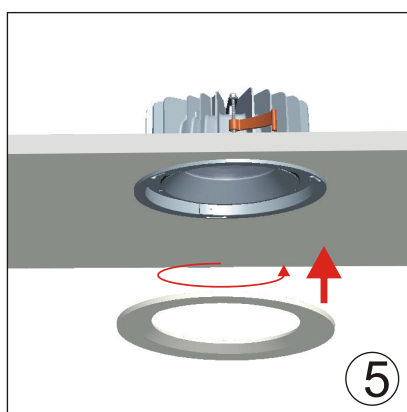
Ceiling Cut Hole Ø200-210mm



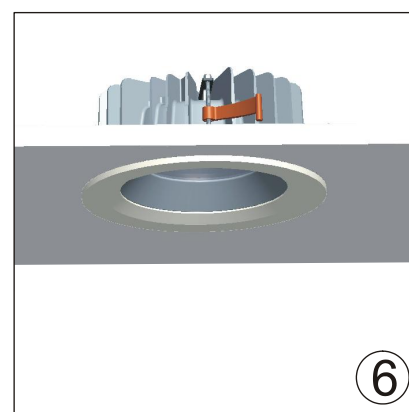
Put the lamp into the cut hole.



Use the screw driver to tighten the screw.

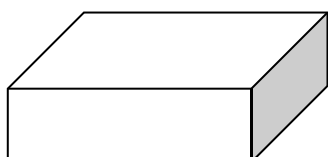


Twist the front ring into the lamp.



Done.

Packaging:

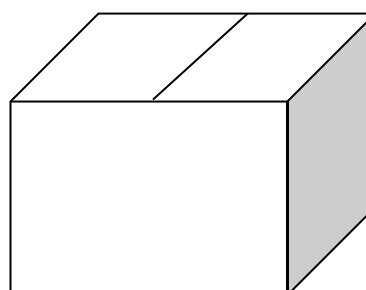


Box

L265*W265*H105mm

1pc/box

GW: 1.8kg/box



Outer carton

L560*W560*H250mm

8pcs/CTN

GW: 16kg/carton

Product naming system

