

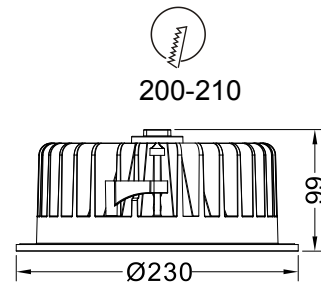
Combolite Series

BL19-40W

Reflector

Technical Parameters:

Name	Parameters
Light source:	COB
Input Voltage:	AC220~240V 50/60Hz
LED Current:	1000mA (35-37V)
Rated life:	>50,000 hours
Operating temperature:	-20°C~40°C
Storage temperature:	-30°C~60°C
Certificate:	
Dimmability:	Dimmable Optional
Weight:	1.6KG



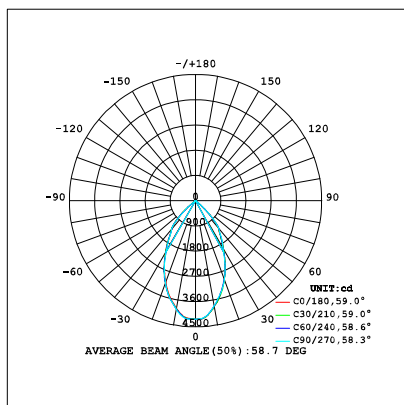
Ordering Information:

⊙ White+ Gray

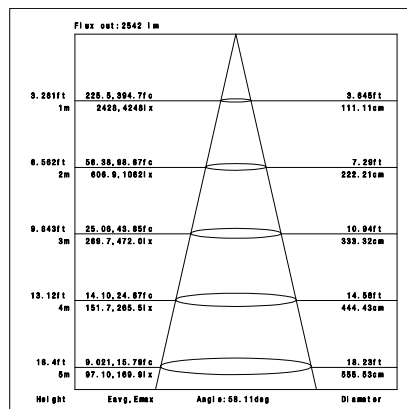
Power	CRI	Beam Angle	Luminous	CCT	Housing	Part Number
40W	>80	▲ 60°	4380 lm	3000K	⊙	BL191-40W-830-W-60
			4420 lm	4000K	⊙	BL191-40W-840-W-60
	>90	▲ 60°	3620 lm	3000K	⊙	BL191-40W-930-W-60
			3950 lm	4000K	⊙	BL191-40W-940-W-60

Technical Data test pattern

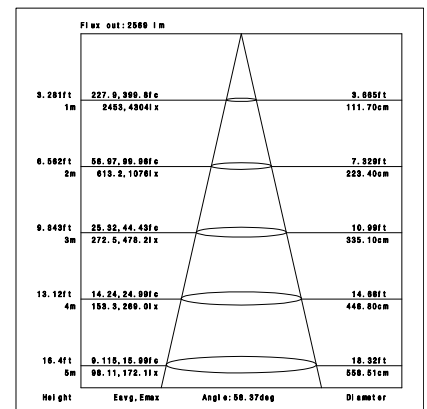
CRI80 60°



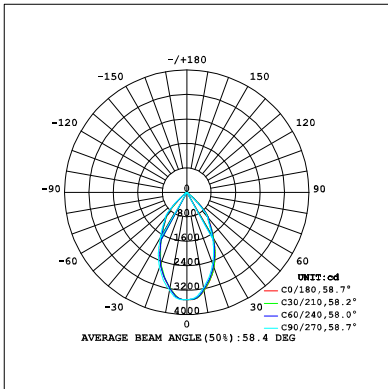
3000K



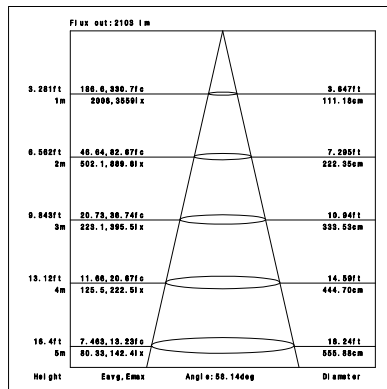
4000K



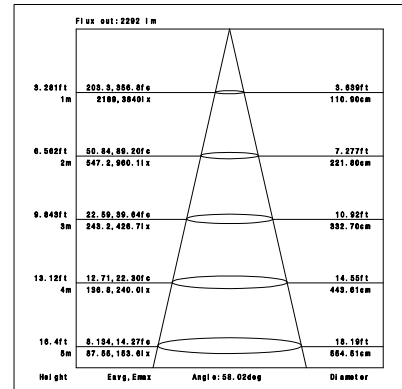
CRI90 60°



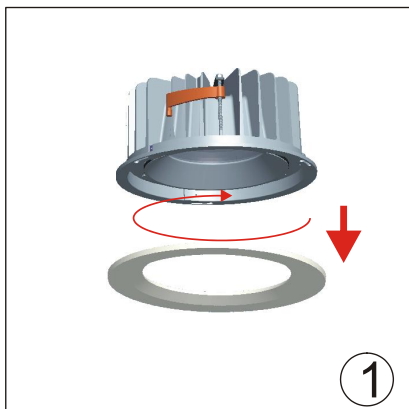
3000K



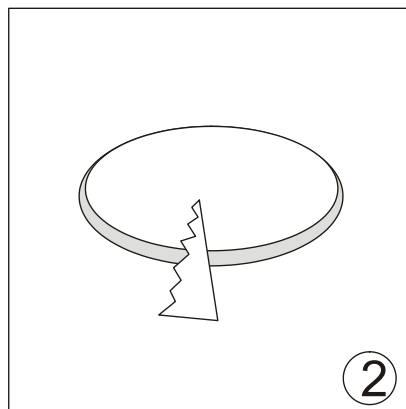
4000K



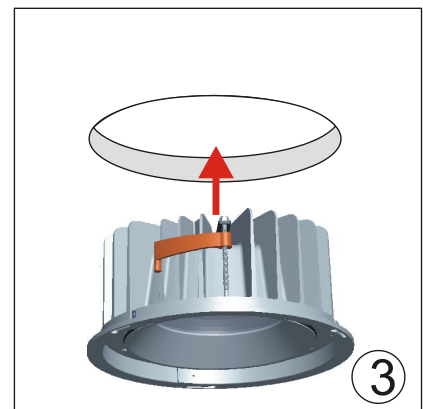
Installation instruction



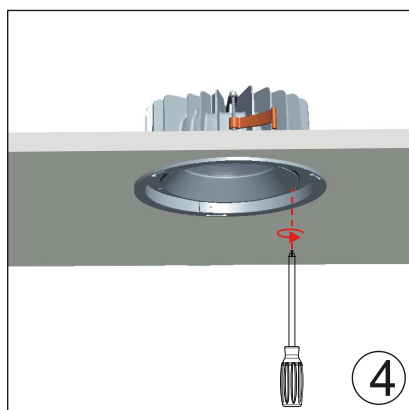
Unlock and take out the front ring.



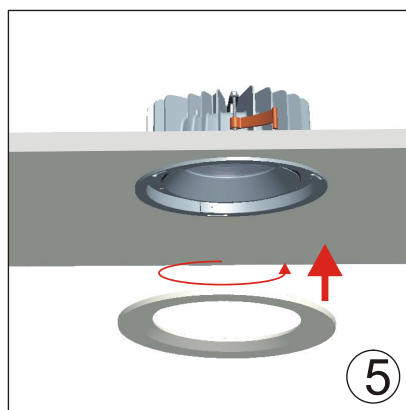
Ceiling Cut Hole Ø200-210mm



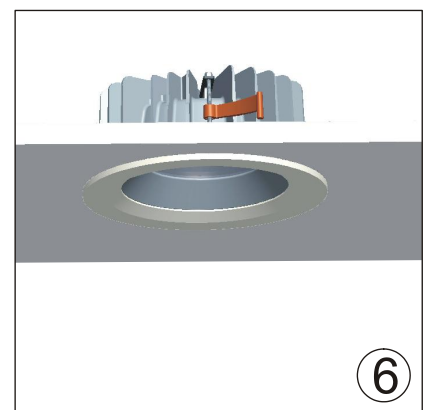
Put the lamp into the cut hole.



Use the screw driver to tighten the screw.



Twist the front ring into the lamp.



Done.

Packaging:

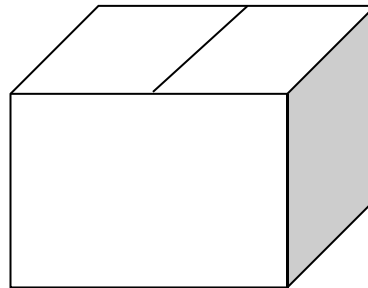


Box

L265*W265*H105mm

1pc/box

GW: 1.9kg/box



Outer carton

L560*W560*H250mm

8pcs/CTN

GW: 16.5kg/carton

Product naming system

