

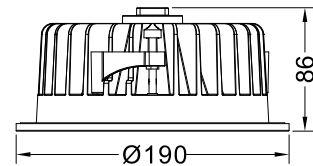
Combolite Series

BL18-24W/30W



Technical Parameters:

Name	Parameters
Light source:	5630 SMD (54PCS, 24W) 5630 SMD (72PCS, 30W)
Input Voltage:	AC220~240V 50/60Hz
LED Current:	350mA (54V) 24W 800mA (37V) 30W
Rated life:	>50,000 hours
Operating temperature:	-20°C~40°C
Storage temperature:	-30°C~60°C
Certificate:	
Dimmability:	Dimmable Optional
Weight:	0.9KG



Ordering Information:

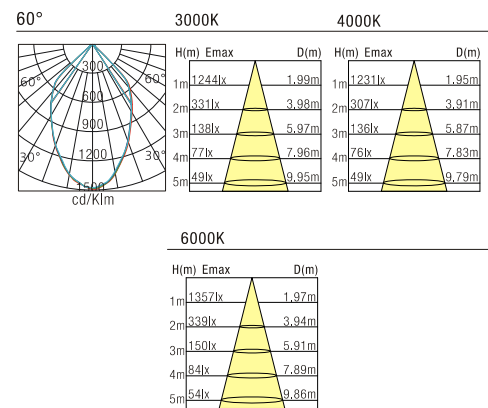
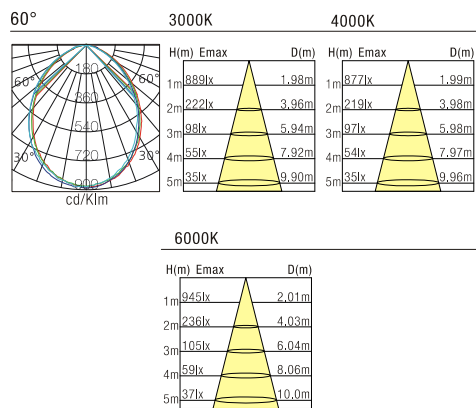
⊙White+ Gray

Power	CRI	Beam Angle	Luminous	CCT	Housing	Part Number
24W	82	90°	1600 lm	3000K	⊙	BL182-24W-830-W-90
			1800 lm	4000K	⊙	BL182-24W-840-W-90
			2000 lm	6000K	⊙	BL182-24W-860-W-90
30W	82	90°	2300 lm	3000K	⊙	BL182-30W-830-W-90
			2500 lm	4000K	⊙	BL182-30W-840-W-90
			2700 lm	6000K	⊙	BL182-30W-860-W-90

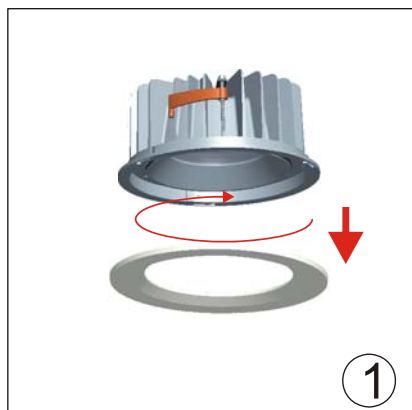
Technical Data test pattern

24W	24W CRI>80			30W CRI>80		
	SMD LED			Luminaire		
Power	54x0.5W			24W		
Current	3B18C			350mA		
Luminous Flux				1600lm	1800lm	2000lm
CCT	3000K	4000K	6000K	3000K	4000K	5000K
Color tolerance						
Service life	>50,000Hrs			>50000Hrs		
Beam Angle	120°			90°		
Typical Efficiency				86%		
Efficacy(lm/W)				67	75	83

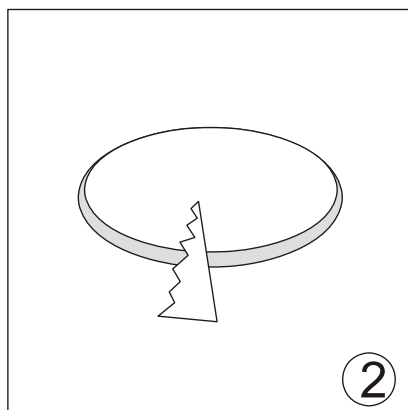
30W	SMD LED			Luminaire		
	Power	72x0.5W			33W	
Current	6B12C			800mA		
Luminous Flux				2300lm	2500lm	2700lm
CCT	3000K	4000K	6000K	3000K	4000K	6000K
Color tolerance						
Service life	>50,000Hrs			>50000Hrs		
Beam Angle	120°			90°		
Typical Efficiency				87%		
Efficacy(lm/W)				70	76	82



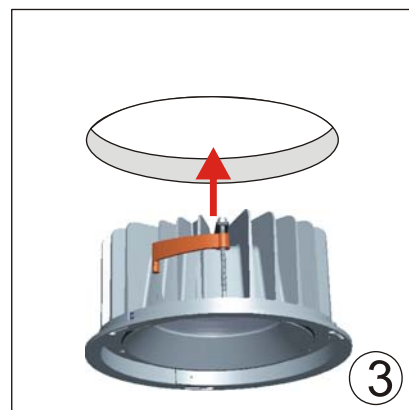
Installation instruction



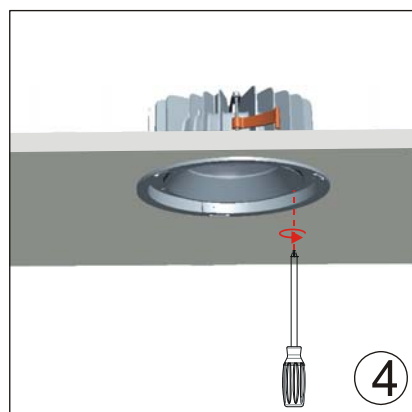
Unlock and take out the front ring.



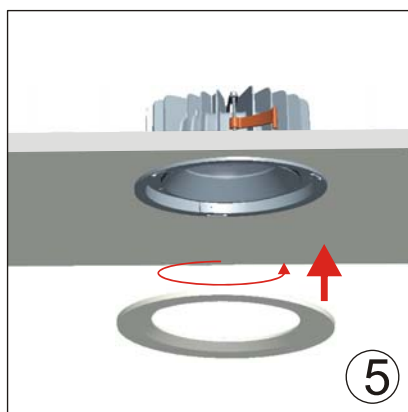
Ceiling Cut Hole Ø165-170mm



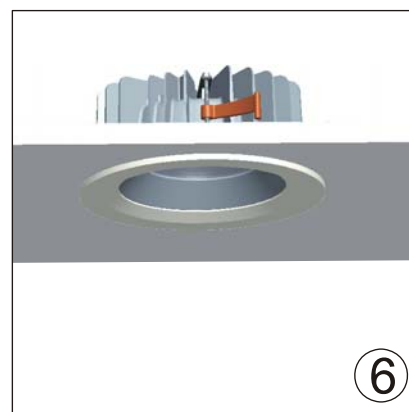
Put the lamp into the cut hole.



Use the screw driver to tighten the screw.

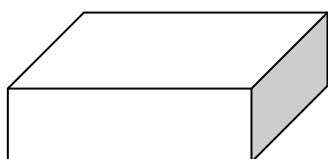


Twist the front ring into the lamp.



Done.

Packaging:

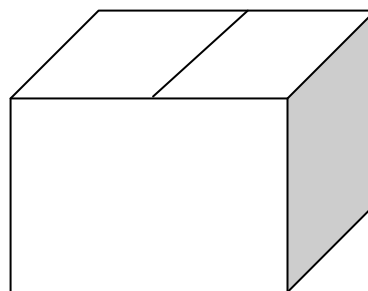


Box

L215*W215*H95mm

1pc/box

GW: 1.2kg/box



Outer carton

L460*W460*H410mm

16pcs/CTN

GW: 20.5kg/carton

Product naming system

BL (-X-) XX X (H) - XW - X XX - X- XX

