

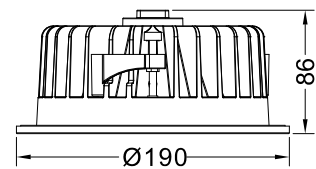
Combolite Series

BL18-21W

Reflector

Technical Parameters:

Name	Parameters
Light source:	COB
Input Voltage:	AC220~240V 50/60Hz
LED Current:	500mA (35-37V)
Rated life:	>50,000 hours
Operating temperature:	-20°C~40°C
Storage temperature:	-30°C~60°C
Certificate:	
Dimmability:	Dimmable Optional
Weight:	0.9KG



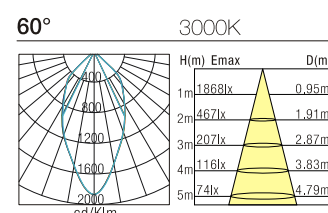
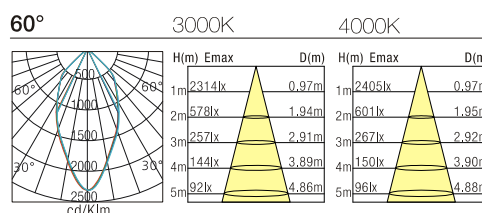
Ordering Information:

⊙ White+ Gray

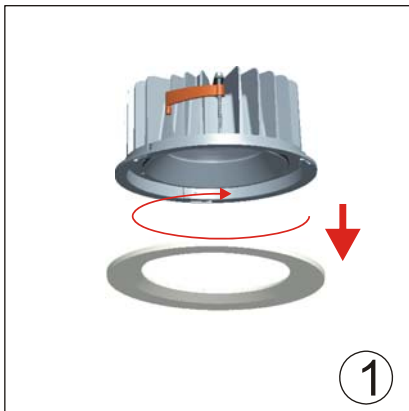
Power	CRI	Beam Angle	Luminous	CCT	Housing	Part Number
21W	>80	60°	2226 lm	3000K	⊙	BL181-21W-830-W-60
			2343 lm	4000K	⊙	BL181-21W-840-W-60
			2300 lm	5000K	⊙	BL181-21W-850-W-60
	>90	60°	1805 lm	3000K	⊙	BL181-21W-930-W-60

Technical Data test pattern

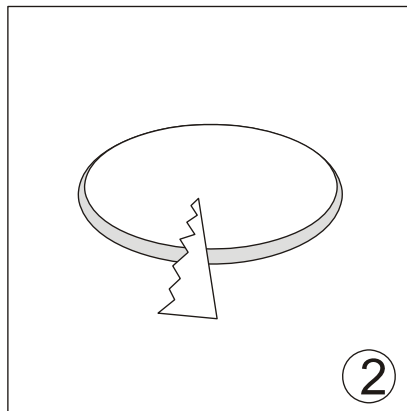
20W	CRI>80			CRI>90		
	LED			Luminaire		
Power	18.7W			20W		
Current	540mA			350mA		
Flux	2742lm	2827lm	2867lm	2226lm	2343lm	
CCT	3000K	4000K	5000K	3000K	4000K	
Color tolerance	3 SDCM			3 SDCM		
Service life	>50000Hrs			>50000Hrs		
Beam Angle	120°			60°		
Typical Efficiency				86%		
Efficacy(lm/W)	147	151	153	111	117	



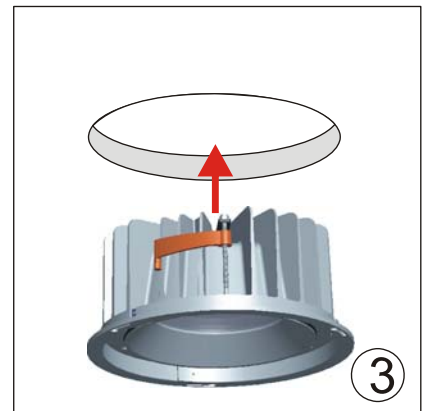
Installation instruction



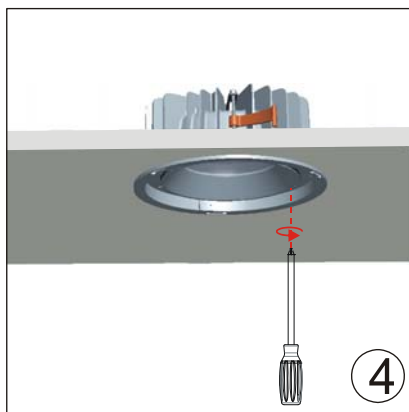
Unlock and take out the front ring.



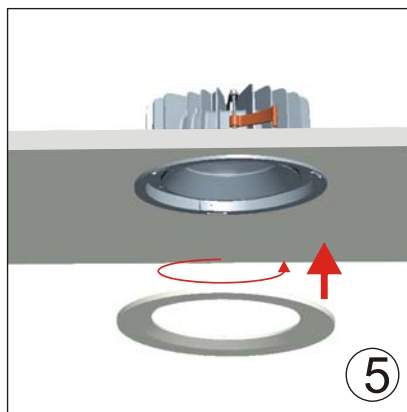
Ceiling Cut Hole Ø165-170mm



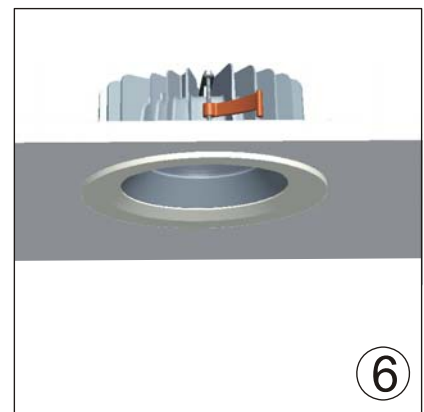
Put the lamp into the cut hole.



Use the screw driver to tighten the screw.

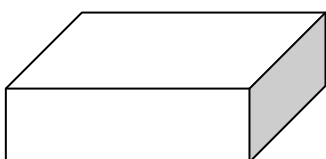


Twist the front ring into the lamp.



Done.

Packaging:

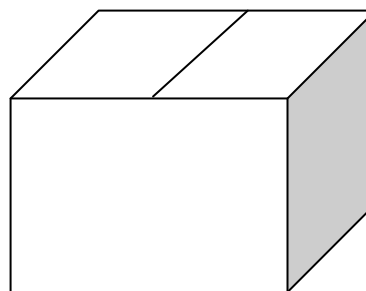


Box

L215*W215*H95mm

1pc/box

GW: 1.2kg/box



Outer carton

L460*W460*H410mm

16pcs/CTN

GW: 20.5kg/carton

Product naming system

BL (-X-) XX X (H) - XW - X XX - X- XX

