

exLite Series

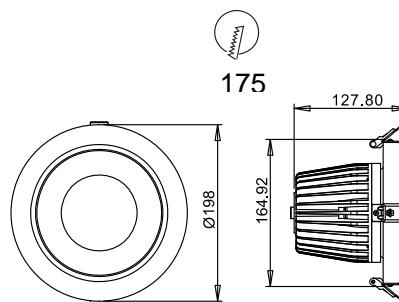
**BL071-20W**

Reflector



Technical Parameters:

Name	Parameters
Light source:	COB
Input Voltage:	AC220~240V 50/60Hz
LED Current:	500mA, 30-33V
Rated life:	>35,000 hours
Operating temperature:	-20°C~40°C
Storage temperature:	-30°C~60°C
Certificate:	CE/RoHS
Dimmability:	Dimmable Optional
Weight:	1.2 KG



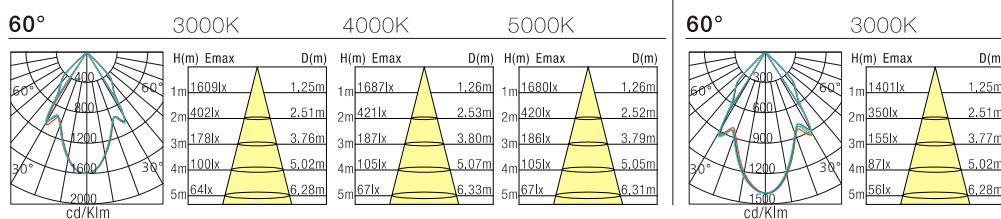
Ordering Information:

White+Black

Power	CRI	Beam Angle	Luminous	CCT	Housing	Part Number
20W	>80	60°	1667 lm	3000K	●	BL071-20W-830-W-60
			1746 lm	4000K	●	BL071-20W-840-W-60
			1729 lm	5000K	●	BL071-20W-850-W-60
	>90	60°	1458 lm	3000K	●	BL071-20W-930-W-60
			1505 lm	4000K	●	BL071-20W-940-W-60

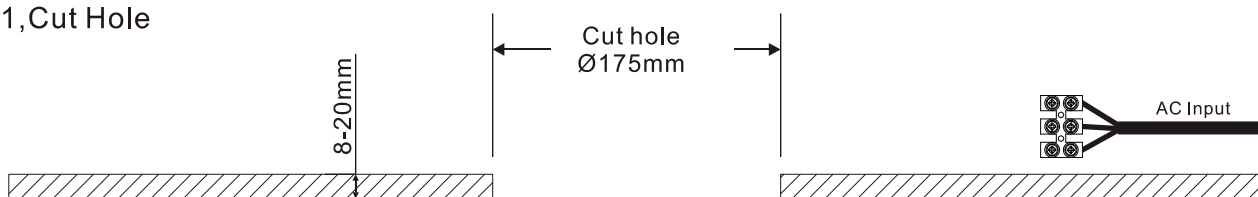
Technical Data test pattern

20W	CRI>80			CRI>90		
	LED			Luminaire		
Power	16.2W			18W		
Current	500mA			500mA		
Luminous Flux	2120lm	2200lm	2200lm	1667lm	1746lm	1729lm
CCT	3000K	4000K	5000K	3000K	4000K	5000K
Color tolerance	3 SDCM			3 SDCM		
Service life	>50,000Hrs			>50,000Hrs		
Beam Angle	120°			60°		
Typical Efficiency				88%		
Efficacy(lm/W)	131	135	136	92.6	97	96

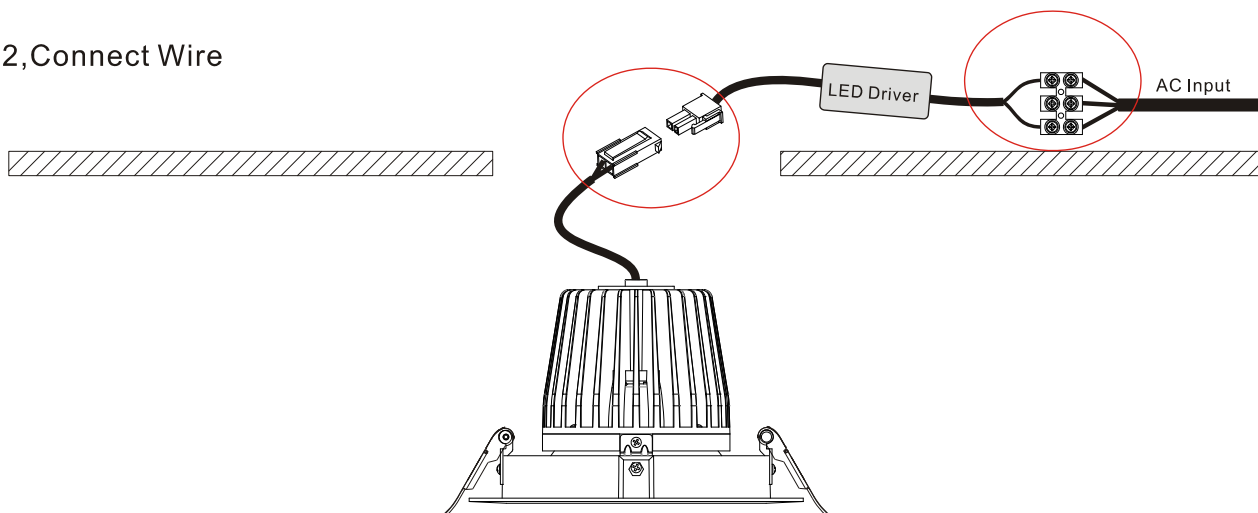


Installation instruction

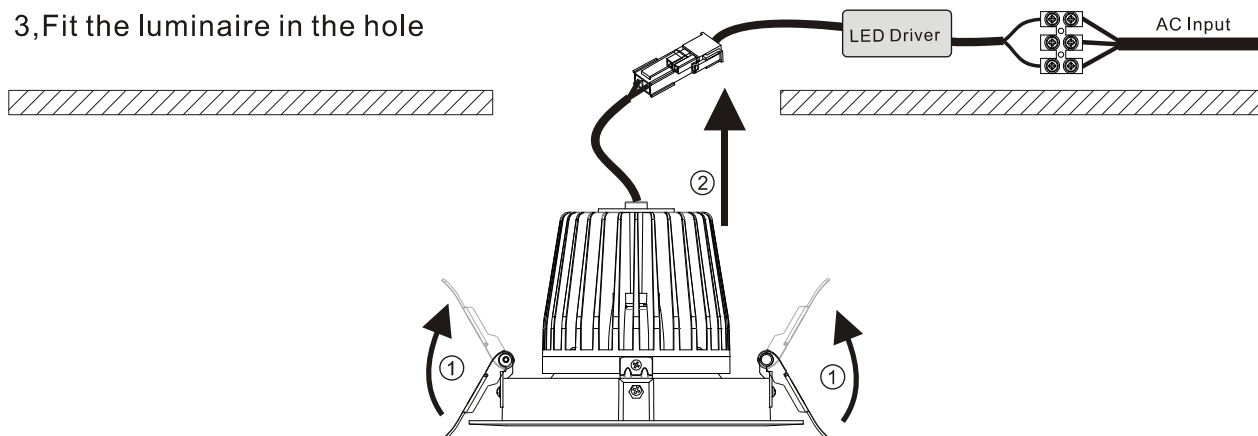
1,Cut Hole



2,Connect Wire



3,Fit the luminaire in the hole



4,Finish

