

exLite Series

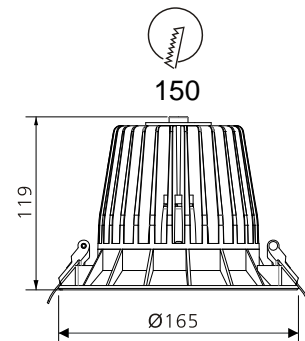
BL06-20W

Reflector



Technical Parameters:

Name	Parameters
Light source:	COB
Input Voltage:	AC220~240V 50/60Hz
LED Current:	500mA, 30-33V
Rated life:	>35,000 hours
Operating temperature:	-20°C ~40°C
Storage temperature:	-30°C ~60°C
Certificate:	CE/RoHS
Dimmability:	Dimmable Optional
Weight:	0.9KG



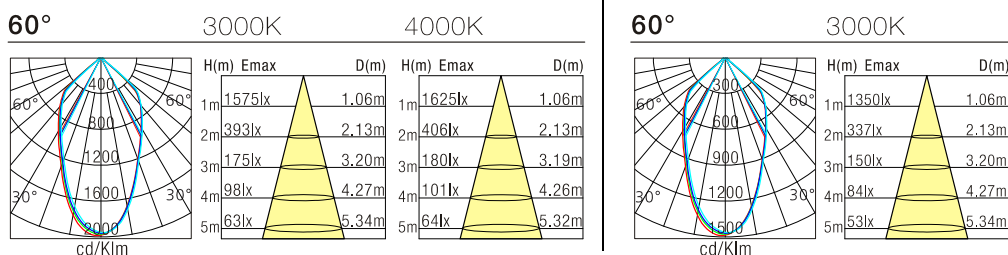
Ordering Information:

● White+Black

Power	CRI	Beam Angle	Luminous	CCT	Housing	Part Number
20W	>80	▲ 60°	1747 lm	3000K	●	BL061-20W-830-W-60
			1812 lm	4000K	●	BL061-20W-840-W-60
			1791 lm	5000K	●	BL061-20W-850-W-60
	>90	▲ 60°	1506 lm	3000K	●	BL061-20W-930-W-60

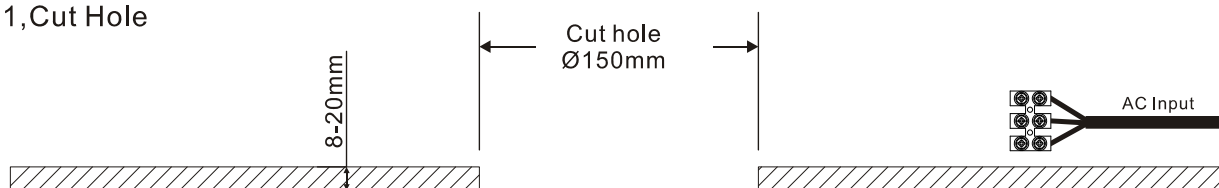
Technical Data test pattern

20W	CRI>80						CRI>90					
	LED			Luminaire			LED			Luminaire		
Power	16.2W			18W			16.2W			18W		
Current	500mA			500mA			500mA			500mA		
Flux	2120lm	2200lm	2200lm	1747lm	1812lm	1791lm	1630lm	1660lm	1900lm		1506lm	
CCT	3000K	4000K	5000K	3000K	4000K	5000K	2700K	3000K	4000K		3000K	
Color tolerance	3 SDCM		4 SDCM				3 SDCM					
Beam Angle	120°			60°			120°			60°		
Typical Efficiency				88%						88%		
Efficacy	131lm/W	135lm/W	136lm/W	97m/W	100lm/W	99.5lm/W	101lm/W	103lm/W	118lm/W		83.5lm/W	

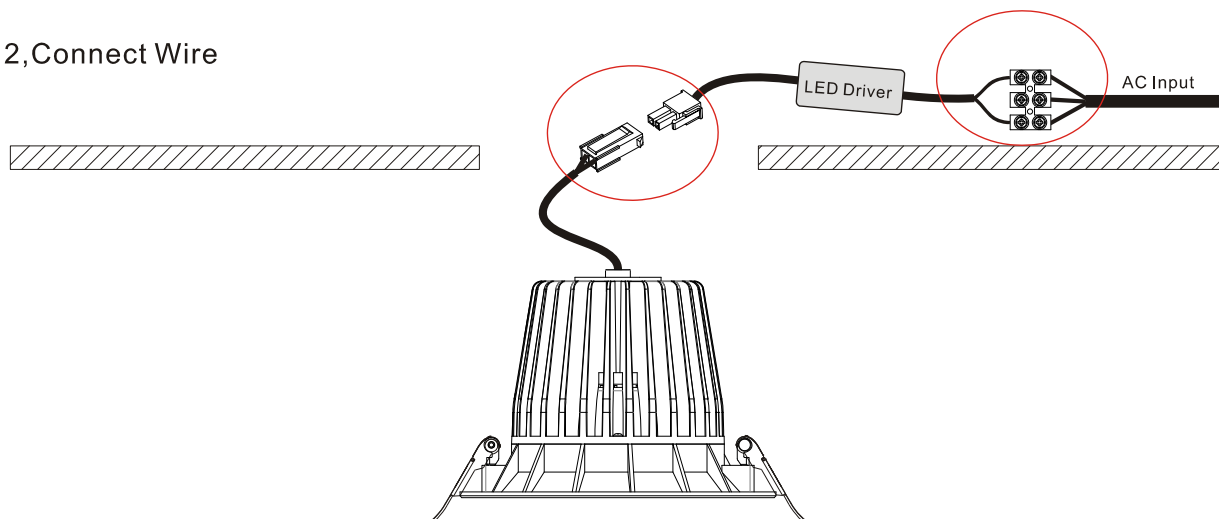


Installation instruction

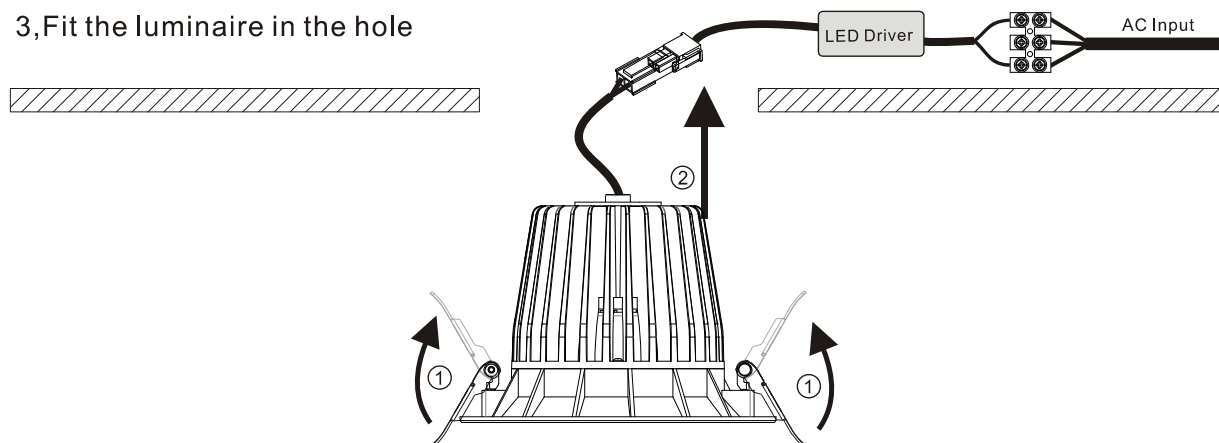
1, Cut Hole



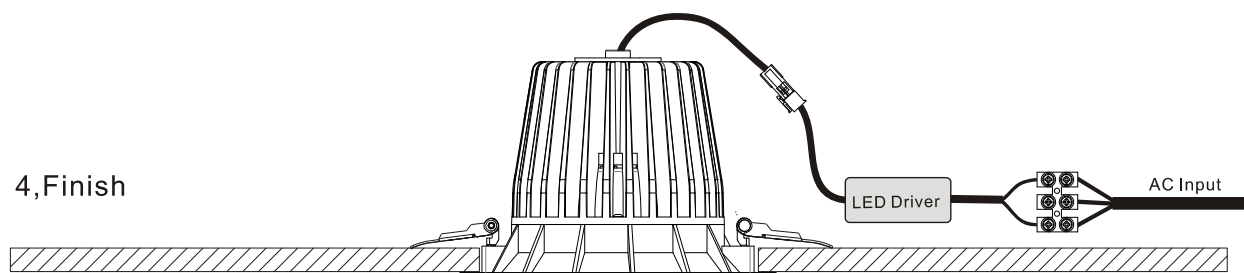
2, Connect Wire



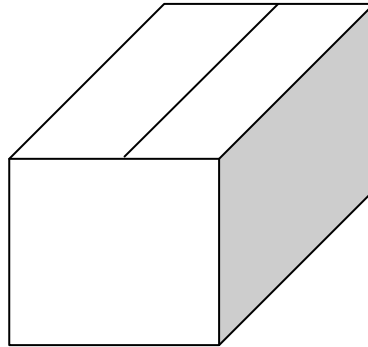
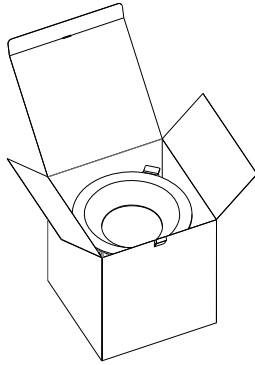
3, Fit the luminaire in the hole



4, Finish



Packaging:



Box

L170*W170*H165mm

1pc/box

GW: 1.05kg/box (With non-dimmable driver)

1.15kg/box (With Triac dimmable driver)

Outer carton

L710xW370xH390mm

16 pcs/carton

GW: 18kg/carton (With non-dimmable driver)

19kg/carton (With Triac dimmable driver)

Product naming system

BL (X) XX X (H) – XW – X XX – X- XX

