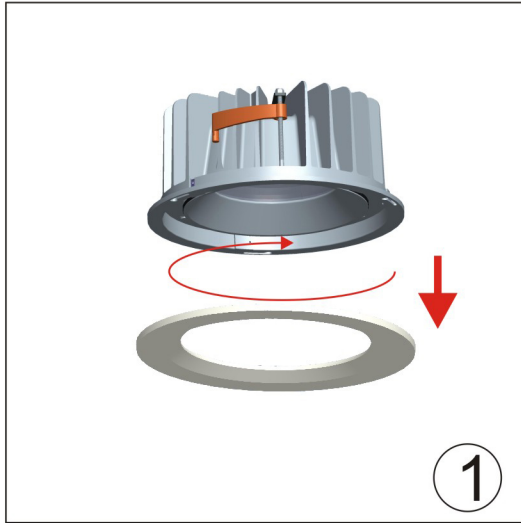
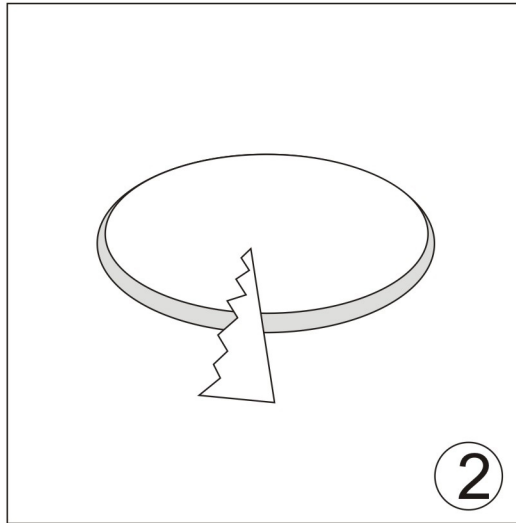


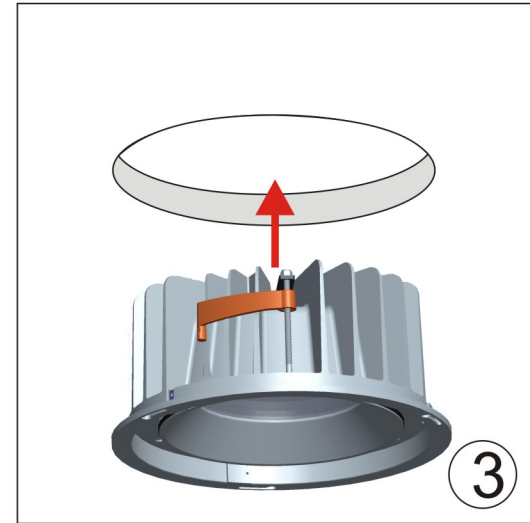
ComboLite 6"/8" LED Downlight Installation Guidance



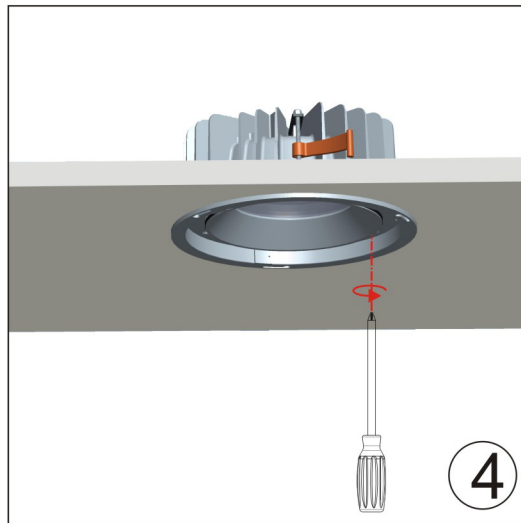
Unlock and take out the front ring.



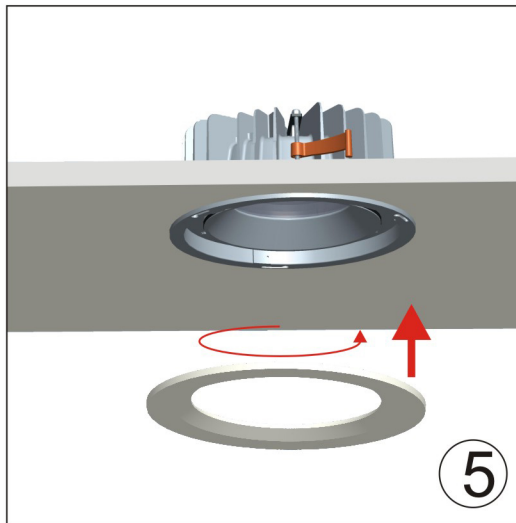
Ceiling Cut Hole Ø210mm



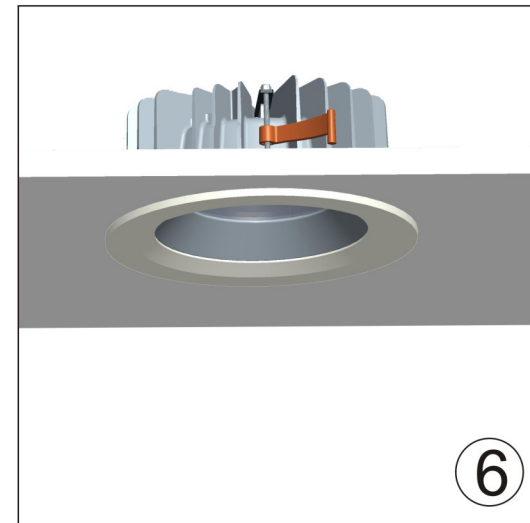
Put the lamp into the cut hole.



Use the screw driver to tighten the screw.



Twist the front ring into the lamp.



Done.